



INfga033_US

370-135



Children Tricycle

Manual contains important information
and should be retained



Sense of
balance



Organism
muscle
training



Major
movement
training



Hand- eye
coordination
development.

READ AND SAVE THIS INSTRUCTION FOR FUTURE USE

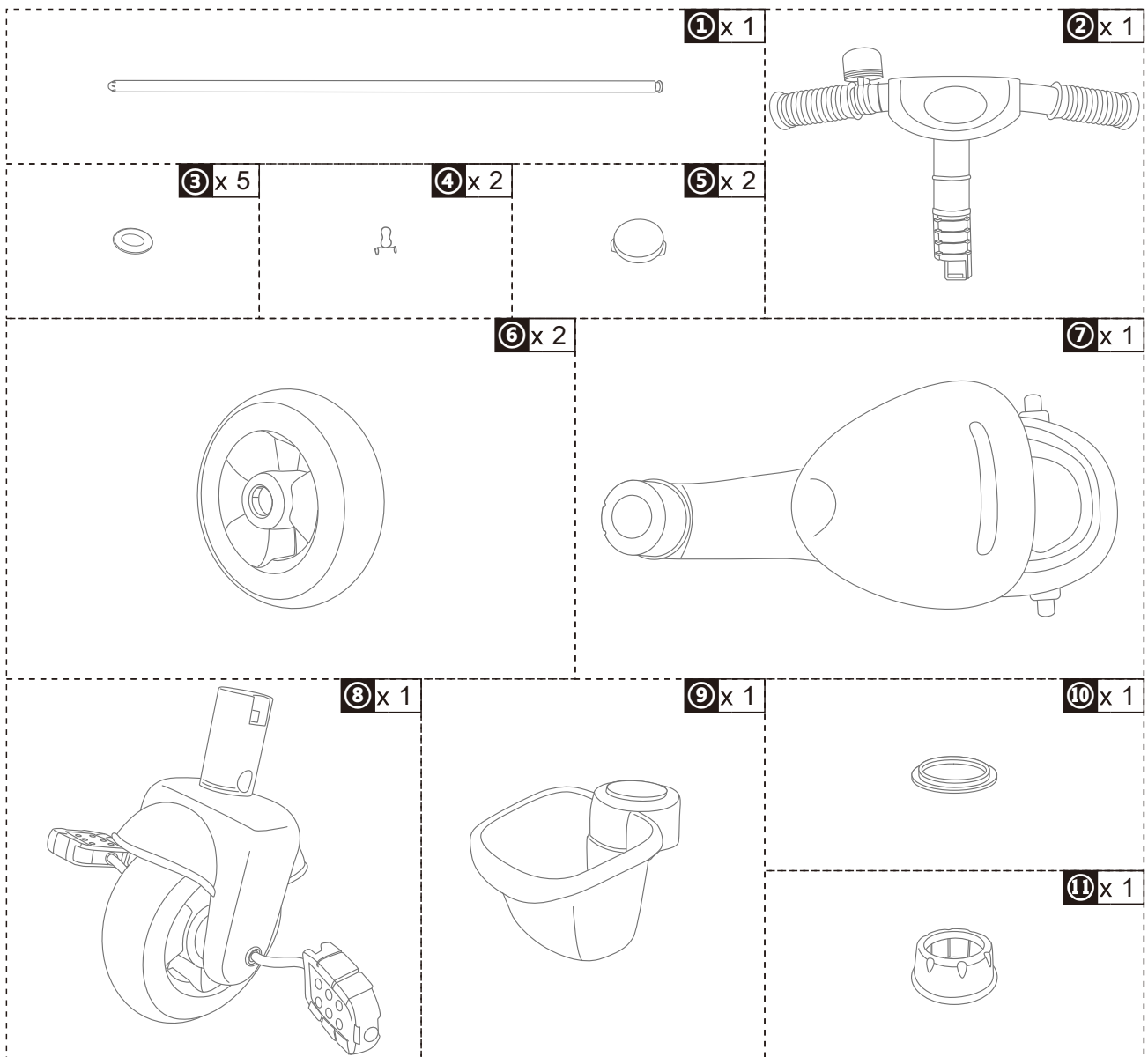
ASSEMBLY INSTRUCTION



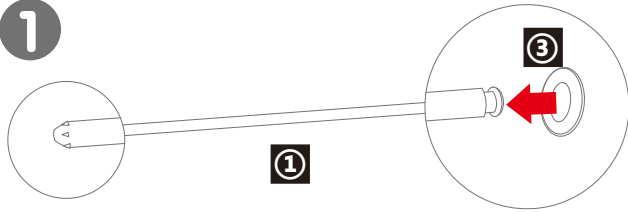
WARNING

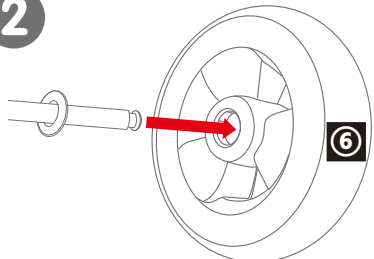
Do not put the materials into the mouth to avoid inadvertent ingestion. This product is suitable for children under the weight of 25KG. It is only allowed to take one person. When the child is riding, the caregiver should not leave. This product must be assembled by the adult and handed over to the child. The product is not suitable for children under 3 years old.

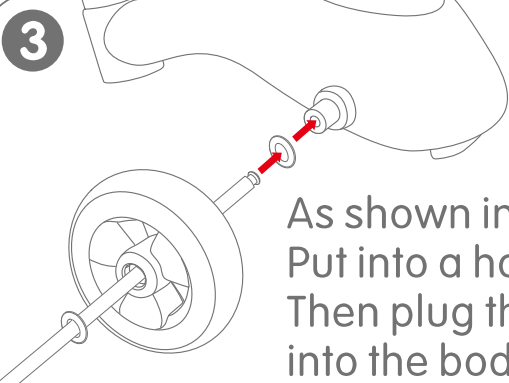
ACCESSORIES DIAGRAM

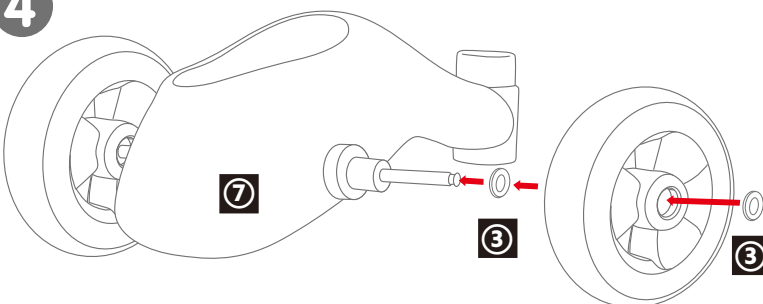


INSTALLATION DIAGRAM: (The toy needs to be assembled by adults)


1  The two ends of the iron shaft are different. Put the hoop on the right side.


2  Put the wheel across to the iron shaft.

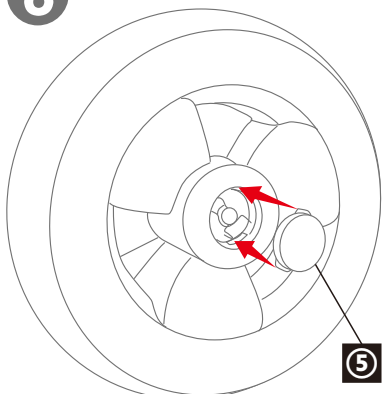
3  As shown in the picture, Put into a hoop again, Then plug the iron shaft into the body.

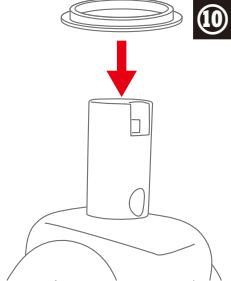
4  After the iron shaft passes through the main body of the bicycle, put into a hoop again, and then put through another wheel, and insert a hoop again.

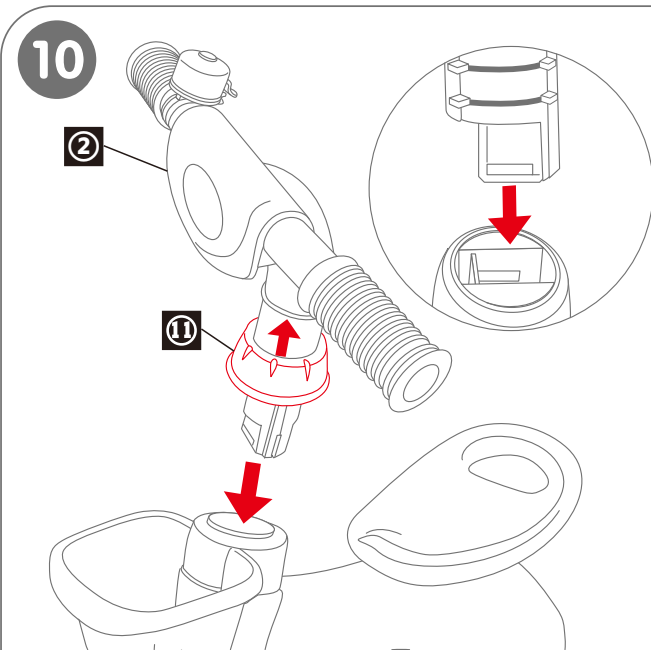
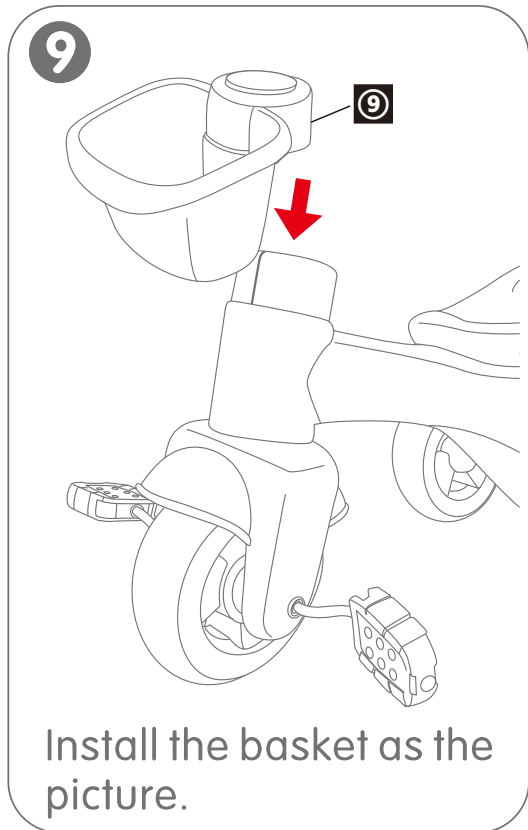
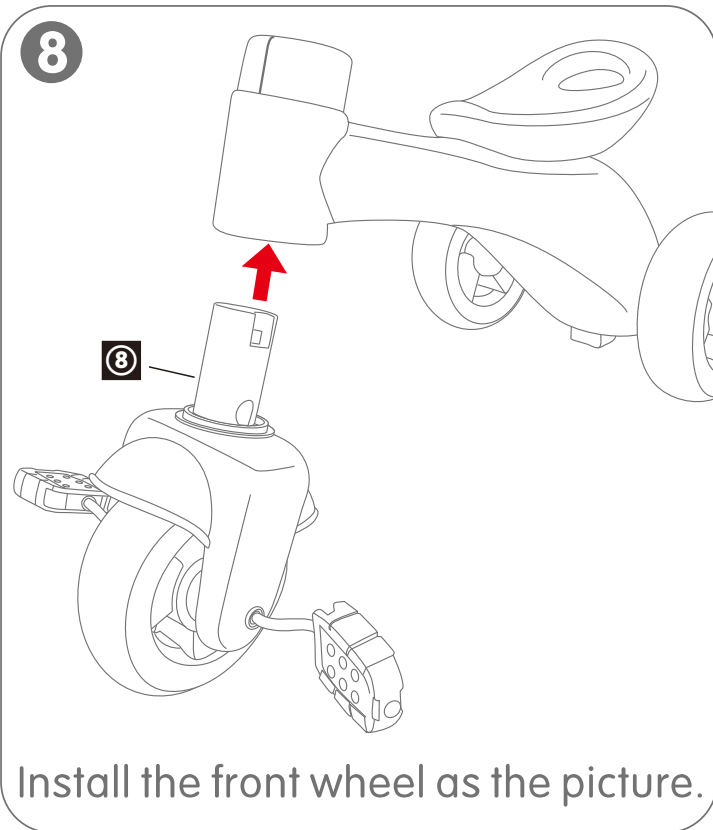
5 Press the bottom of the iron wire with your index finger and thumb.



Put this  into the axis of wheel to fasten.

6  Put the lid on.

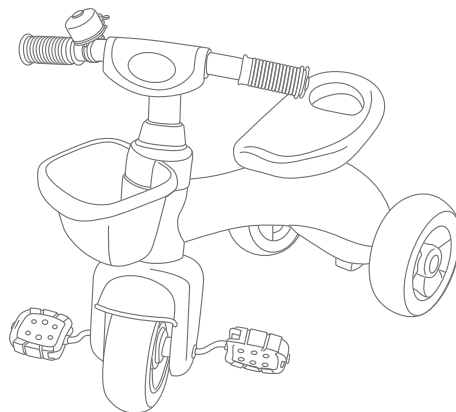
7  Insert the plastic ring into the head of the bike as shown in the picture.



After assembling basket, push the big plastic ring up, and then plug the head of bike into body as picture showed. (Pay attention to the direction of the head and wheels, and turn the wheel to adjust the position, which corresponds to the position under the head of bike.)

REMINDER

Last step, please double confirm Step 7,8,9 of installation diagram are assembled correctly. Please pay more attention: In order for the safety when playing, bicycle is designed that can NOT be separated after it is assembled to front wheel. Once the front wheel are assembled, the sparepart can NOT be add or change if Step 7,8,9 of installation diagram assembled in a wrong way.



Installation has been completed!

SAFETY PRECAUTIONS AND MAINTENANCE

1. This product must be assembled by an adult or used by an adult to check whether it is assembled correctly and must be used under adult supervision.
2. This product is not a vehicle, please do not drive on the street.
3. Do not allow children to stand on the body of the car.
4. This car can only take one child, please do not overload.
5. The car must not be driven in rough places or rough terrain and slopes. It is only suitable for flat, open and unobstructed ground.
6. Please pack the bags in time to avoid the risk of suffocation caused by children's play.
7. Check that the car is safe to use before using every time.
8. Overloading, improper use or use of non-approved parts may result in damage, malfunction or insecurity.
9. The screws of the parts should be checked regularly for firmness. Check the flexibility of the various rotating parts to avoid long-term use in humid environments.
10. Do not wash the car with water. If you need to clean it, wipe it off with a cloth.
11. Recommended tightening torque for connecting fasteners: 20N.m.

Users and guardians should read this manual before use and keep it for future reference. If you do not follow the instructions, it may affect children's safety.

Maintenance: This product should not be used in water or in damp environment. Clean the surface with a dry cloth.

Packing containing important information and should be retained

US



001-877-644-9366
customerservice@aosom.com

CA



001-855-537-6088
customerservice@aosom.ca

UK



0044-800-240-4004
enquiries@mhstar.co.uk

DE



0049-(0)40-88307530
service@aosom.de

FR



0033-1-84166106
contact@aosom.fr

ES



0034-931294512
atencioncliente@aosom.es

IT



0039-0249471447
clienti@aosom.it