



Max weight: 25 kgs.



Activity Ride-On



“Mercedes-Benz”



, and the design of enclosed product are subject to intellectual property protection owned by Daimler AG. They are used by Ningbo Prince Toys Co., Ltd. under license.

IMPORTANT, RETAIN FOR FUTURE REFERENCE: READ CAREFULLY

ASSEMBLY INSTRUCTION



WARNING:

1. **CHOKING HAZARD**—Small parts.
Only allowed for adults to install, keep children away.
2. To be used under the direct supervision of an adult.
3. Just only allow one child to use.
4. Please use on a flat and clean surface. Never use near steps, sloped driveways, hills roadways, alleys, swimming pool areas, road, on grass or wet surfaces or other bodies of water.
5. Before driving toy car each time, adult should inspect screws of every parts, please tighten the screw cap if any looseness. secure all fasteners before every ride.
6. Always wear shoes and suitable protective equipment. always wear a local standard approved helmet while riding, with the chinstrap securely fastened.
7. Do not ride the product at dusk, at night or at times of limited visibility.
8. Always comply with local laws and regulations.








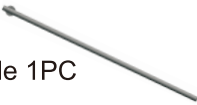



MAINTENANCE & CARE

- A. Keep all instructions and parts relating to this product for future reference.
- B. Regularly check for damage and that all screws are securely tightened.
- C. Check that the seat is securely fastened.
- D. Lubricate the chain as often as required.
- E. Regularly check tyre pressures.

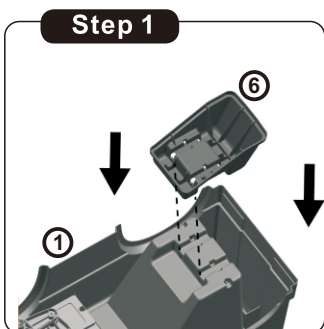
Battery Handling:

- 1-Battery must be handled by adults only.
- 2-Always remove exhausted batteries.
- 3-Use AA size batteries only.
- 4-Alkaline batteries are recommended.
- 5-Always remove batteries when the unit is not going to be used for an extended period of time.
- 6-When replacing new batteries, ensure all batteries are replaced.
- 7-Do not mix old and new batteries.
- 8-Do not mix Alkaline, Standard(Carbon-Zinc), or Rechargeable(Nickel-Cadmium)batteries.
- 9-Do not dispose of batteries in fire, batteries may explode or leak.
- 10- Non-rechargeable batteries are not to be recharged
- 11- Rechargeable batteries are to be removed from the toy before being charged
- 12- Rechargeable batteries are only to be charged under adult supervision
- 13- Batteries are to be inserted with the correct polarity
- 14- The supply terminals are not to be short-circuited

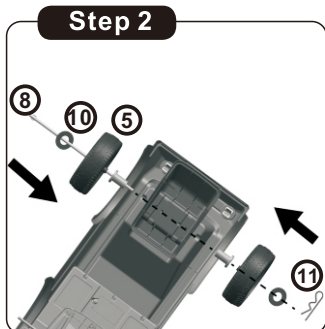
COMPONENTS LIST

1.Car Body 1PC 	2. Steering wheel 1PC 	3.Backrest 1PC 
4.Wheel 4 PCS 	5.Wheel Cap 4 PCS 	6.Anti-tumble Shelf 1PC 
7.J-shaped Stick 1PC 	8.Rear Wheel Axle 1PC 	9.Ring 4PCS 
10. Washer 5 PCS (1 replacement piece) 	11.Cotter Pin 4 PCS (1 replacement piece) 	

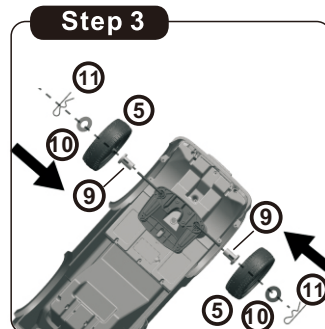
INSTRUCTIONS



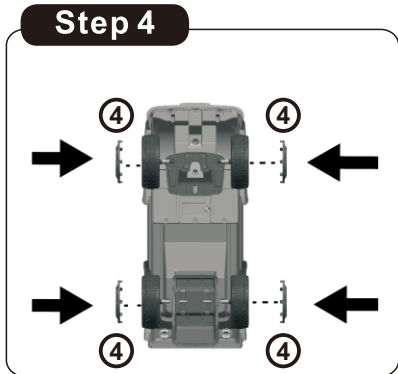
1. Place the anti-tumble shelf into the rear of the body.



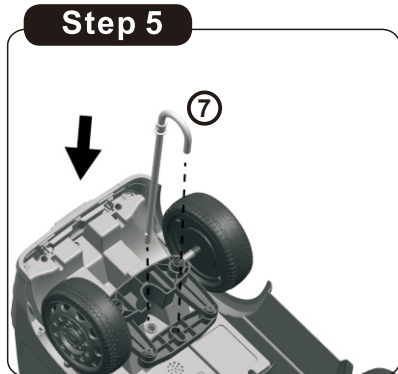
2. Insert the rear wheel axle through washer, wheel, plastic ring into the body, tighten using a cotter pin.



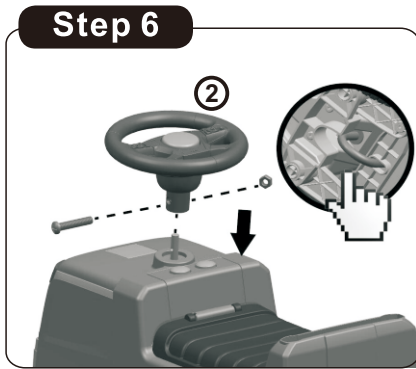
3. Assemble the two front wheels, insert the plastic ring, wheel and washer, tighten using a cotter pin.



4. Place the four wheel caps into the four wheels.



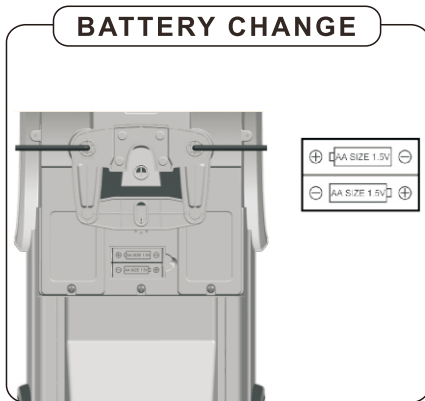
5. Install the J-shaped stick at the assigned location as picture.



6. Loosen the bolt and nut in the steering wheel first, then place the steering wheel over the J-shaped stick, insert the bolt and tighten the nut with a screwdriver.



7. Insert the backrest over the hole in the rear of the body, be certain the backrest is completely seated.



Turn over the car body, and find the battery house. Loosen the screws with a screwdriver. Put 2 AA batteries in the battery house, then tight the screw with a screwdriver.

US



001-877-644-9366
customerservice@aosom.com

CA



001-855-537-6088
customerservice@aosom.ca

UK



0044-800-240-4004
enquiries@mhstar.co.uk

DE



0049-(0)40-88307530
service@aosom.de

FR



0033-1-84166106
contact@aosom.fr

ES



0034-931294512
atencioncliente@aosom.es

IT



0039-0249471447
clienti@aosom.it