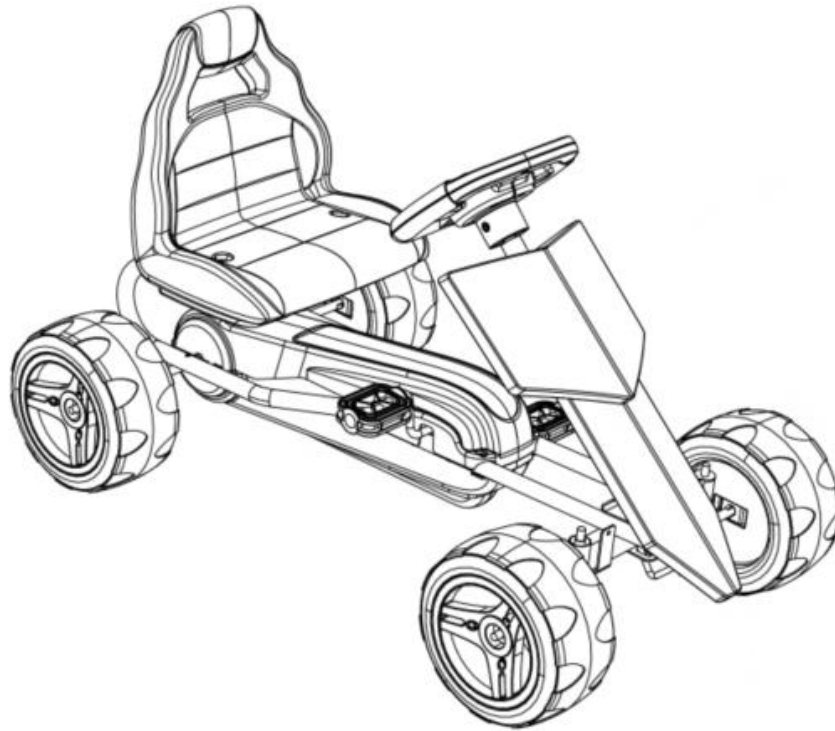


CHILDREN'S GO KART



CE

- Suitable for 3⁺ years
- Maximum user weight: 30kg
- Adult assembly required

OWNER'S MANUAL

Read and understand this entire manual before using!

Please keep this manual for future reference as it contains important information.

Table of Contents

- 1. About Your New Vehicle**
- 2. Parts List**
- 3. Assembly Steps**
- 4 How To Operation Your Vehicle**
- 5. Maintaining Your Vehicle**

About Your New Vehicle

Thank you for purchasing our products, we want your child to enjoy this product for years to come.

Keep these points in mind as you read this guide:

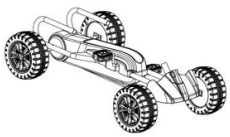


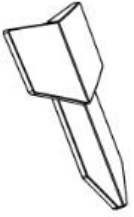


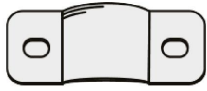

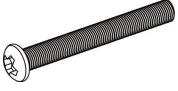

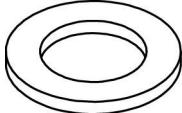



Suitable age:	3 ⁺ years		
Load Capacity:	Under 30Kg		
Size of car:	800*490*500mm		
Carton size:	800*250*510mm		
Material:	PP,IRON	Optimum Temperature:	Below 40°C Avoid to use under burning sun

WARNING!

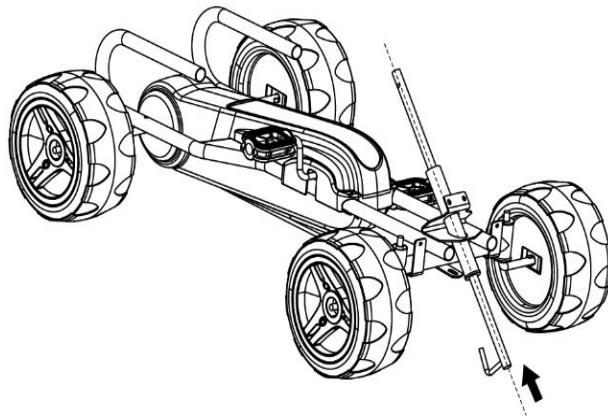
FOR THE SAFETY OF YOUR CHILD, PLEASE READ ALL WARNINGS AND ASSEMBLY/USE INSTRUCTIONS. KEEP THIS GUIDE FOR FUTURE REFERENCE.

- **ADULT ASSEMBLY REQUIRED.** The product contains small parts, which are for adult assembly only. Keep small children away when assembling.
- Always remove protective material and poly bags and dispose before assembly.

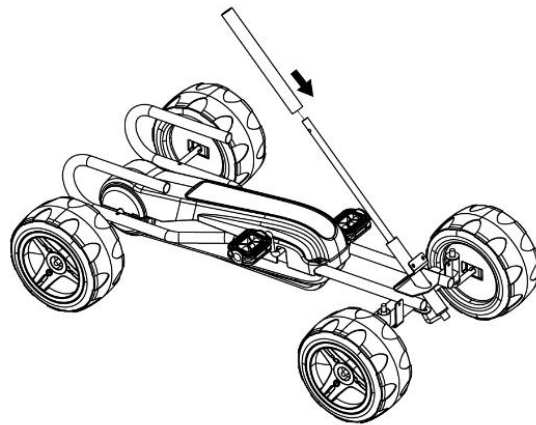
**Part
s
List**

PART NO	PART NAME	PICTURE	Qty (pcs)	REMARKS	PART NO	PART NAME	PICTURE	Qty (pcs)	REMARKS
1	Vehicle body		1		2	Seat		1	
3	Steering wheel		1		4	Panel		1	
5	Linear tube		1		6	Steering shaft		1	
7	Panel fixed		1		8	M5x55 bolt		2	
9	M5x40 bolt		1		10	M5Nut		2	
11	M5X14 washer		2		12	M5nut		1	
13	M4X10 screw		4		14	Instruction manual		1	

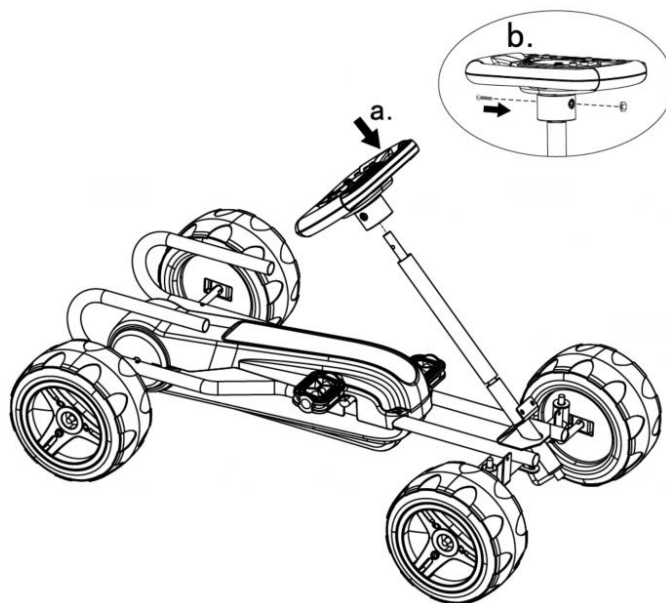
Assembly Steps



1. Put the steering shaft through the hole at the lower front of the go kart. Hook the steering shaft into the turning axle.

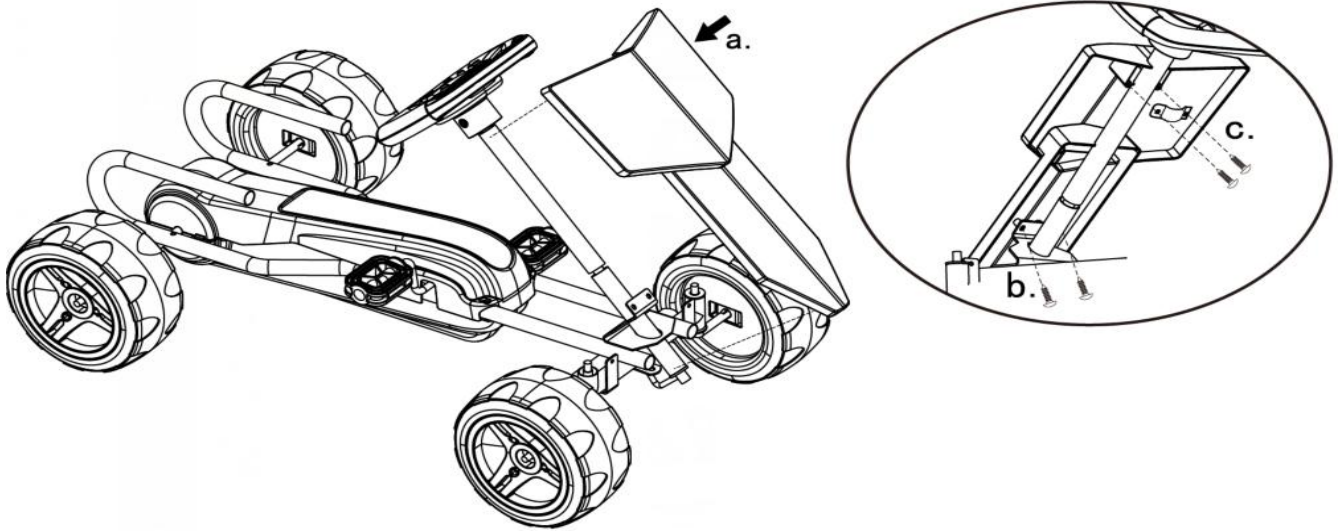


2. Put the Linear tube on the steering shaft.

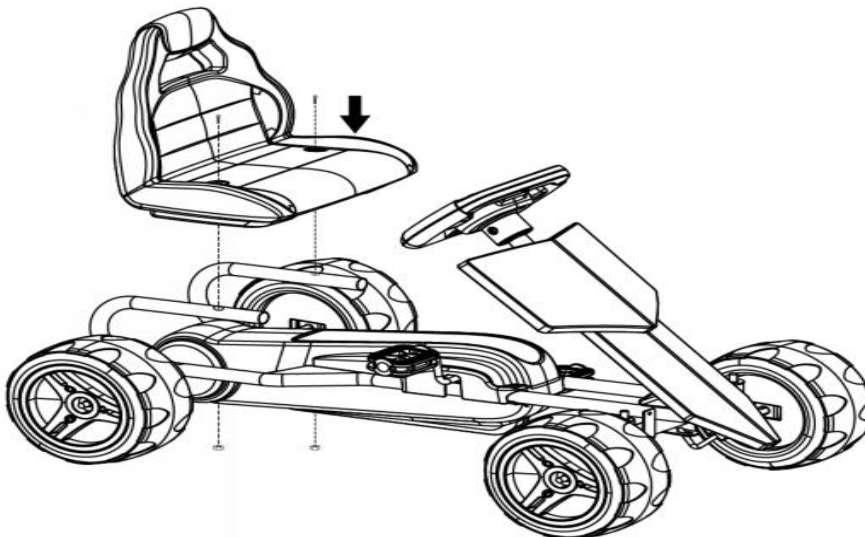


3. Place the steering wheel through the steering shaft and fix into place with M5*40 screw then lock into place with 5mm nut.

Assembly Steps



4. To fit the Panel to the frame ensure the 2 screw holes on Panel and frame is aligned. Tighten with M4*10 screw.--b
Attach Panel fixed with M4x10 screw.--c



5. Fix the seat to the frame of the Vehicle using M5*55mm bolts, ensure to use washers again where appropriate

How To Operate Your Vehicle

WARNING!

PREVENT INJURIES AND DEATHS:

• NEVER LEAVE CHILD UNATTENDED. DIRECT ADULT SUPERVISION IS

REQUIRED. Always keep child in view when child is in vehicle.

- Never use in roadways, near cars, on or near steep inclines or steps, swimming pools or other bodies of water.
- Always wear shoes.
- Always sit on the seat.
- Suitable for age 3⁺ years; Maximum user weight is 30kgs.
- Not to be used in traffic
- A recommendation for adult supervision of young children.
- The toy should be used with caution since skill is required to avoid falls or collisions causing injury to the user or third parties.

Must confirm before using that following work which is already finished:

- Finishing the complete car to assemble according to the steps that the manual described.
- All places to need the screw guarantee the screw has already been locked.

Rules for Safe Riding

READ THESE RULES ALOUD TO YOUR CHILD AND THEIR PLAYMATES AND MAKE SURE THEY UNDERSTAND THEM!

- This toy is no break. Always wear a helmet and protective clothing when riding.
- Direct Adult Supervision Required.
- Keep Children within Safe Riding Areas.
- Never driving in roadway, near motor vehicles, on lawn space, on near steep inclines or steps, swimming pools or other bodies of water.
- Use the toy only on flat surfaces. such as inside your house, garden or playground.
- Never use in the dark. A child could encounter unexpected obstacles and have an accident. Operate the vehicle only in the daytime or a well-lit area.
- It is not recommended to drive the vehicle on wet surfaces or on lopes of greater than 15 degrees.
- Do not use this vehicle outdoors when it is raining or snowing.
- Make sure you come to a complete stop before changing directions from forward to back.
- Please follow the correct weight and age limits allowed to drive this vehicle.
- Inspect connections of the vehicle periodically.
- In order to avoid accidents, please ensure the vehicle is safe before riding.
- Do not let any child touch the wheels or be near them when the car is moving .

Maintaining Your Vehicle

- It is parents' responsibility to check main parts of the toy before using, Must regularly examine for potential hazard, such as screws are fastening enclosure of other parts and that in the event of such damage, the toy must not be until that damage had been properly removed.
- Make sure the plastic parts of the vehicle are not cracked or broken.
- Occasionally use a lightweight oil to lubricate moving parts such as wheels.
- Park the vehicle indoors or cover it with a tarp to protect it from wet weather.
- Keep the vehicle away from sources of heat, such as stoves and heaters. Plastic parts may melt.
- Do not wash the vehicle with a hose. Do not wash the vehicle with soap and water.
- Clean the vehicle with a soft, dry cloth. To restore shine to plastic parts, use a non-wax furniture polish. Do not use car wax. Do not use abrasive cleaners.
- Do not drive the vehicle in loose dirt, sand or fine gravel which could damage moving parts.

Our products are suitable for
EN71 standard.