



INfgd001_US

370-221V00

Ride-on car

Instruction manual



WARNING

**ADULT ASSEMBLY
REQUIRED.**



12-36
months



The packaging has to be kept since it contains important information. The “Automobili Lamborghini” and “Automobili Lamborghini Bull and Shield” trademarks, copyrights, designs and models are used under license from Automobili Lamborghini S.p.A, Italy.

Licensee: Ningbo Prince Toys Co., Ltd.

IMPORTANT, RETAIN FOR FUTURE REFERENCE: READ CAREFULLY

ASSEMBLY INSTRUCTION

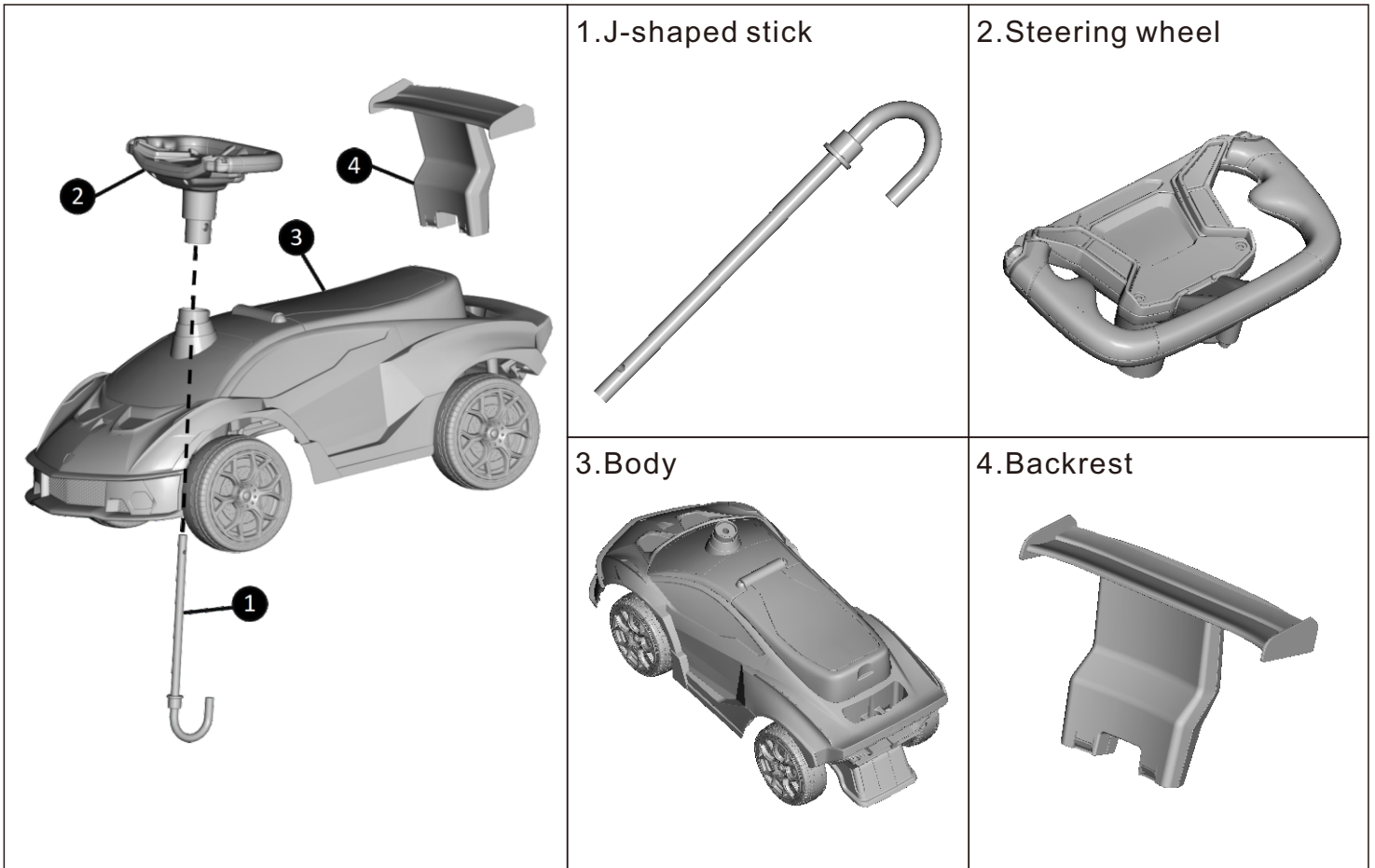
Warning

1. This ride-on is for ages 12-36 months. The maximum weight capacity is 25kg.
2. This product can fit one child at a time.
3. Adult supervision is advised, ensuring children ride safely.
4. Adult assembly is required.
5. Batteries to be handled by adults only.
6. When riding, avoid going near streets, crossroads, traffic areas, swimming pools and stairs.
7. Regularly check the product for any damaged parts.
8. Occasionally check the nut and bolt on the steering wheel, ensuring it is tight and secure.
9. Ensure this product is properly assembled before using.
10. Wear shoes when riding this product.

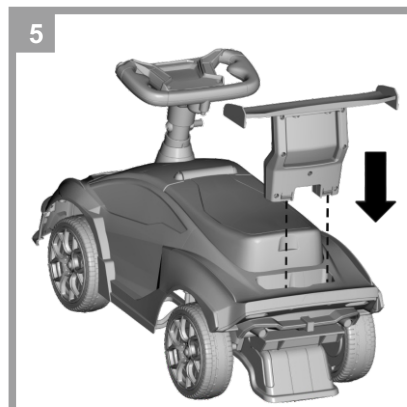
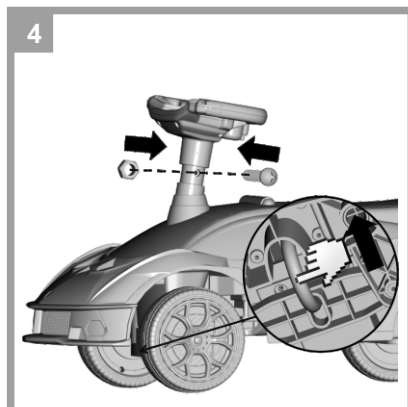
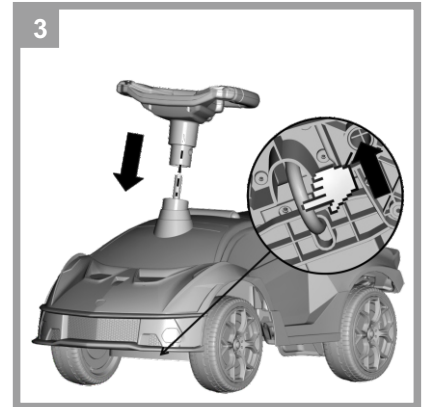
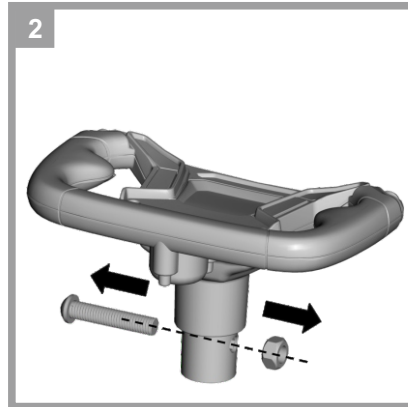
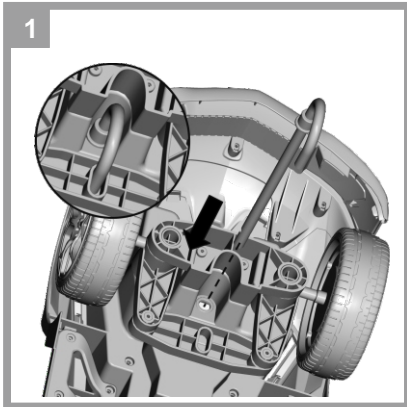
Battery handling:

1. Battery must be handled by adults only.
2. Always remove dead batteries.
3. Only use AA batteries.
4. Alkaline batteries are recommended.
5. When the product is not being used for a while, remove the batteries.
6. When changing batteries, ensure they are all changed with new ones.
7. Do not mix old and new batteries.
8. Do not mix alkaline, standard (carbon-zinc) or rechargeable (nickel-cadmium) batteries.
9. Do not throw batteries into a fire – they could explode or leak.
10. Do not charge non-rechargeable batteries.
11. Before charging, remove chargeable batteries from the product.
12. Adult supervision is required when charging batteries.
13. Insert batteries with the correct polarity.
14. Ensure supply terminals are not short-circuited

COMPONENTS LIST



ASSEMBLY



BATTERY CHANGE

