

Tips

1. Suitable age: 0-3 years old, the maximum load is 15 kg.
2. Please use under supervision of adults.
3. Tighten all nuts and confirm that they are installed correctly before use.
4. Keep away from fire and heating installations, deformation possible.
5. Keep your child away from spare parts, screws, etc.
6. Choose to install suitable height to avoid your child to crawl out.
7. Check before use, please do not use if any parts are damaged or broken.

US



001-877-644-9366
customerservice@aosom.com

CA



001-855-537-6088
customerservice@aosom.ca

UK



0044-800-240-4004
enquiries@mhstar.co.uk

DE



0049-(0)40-88307530
service@aosom.de

FR



0033-1-84166106
contact@aosom.fr

ES



0034-931294512
atencioncliente@aosom.es

IT



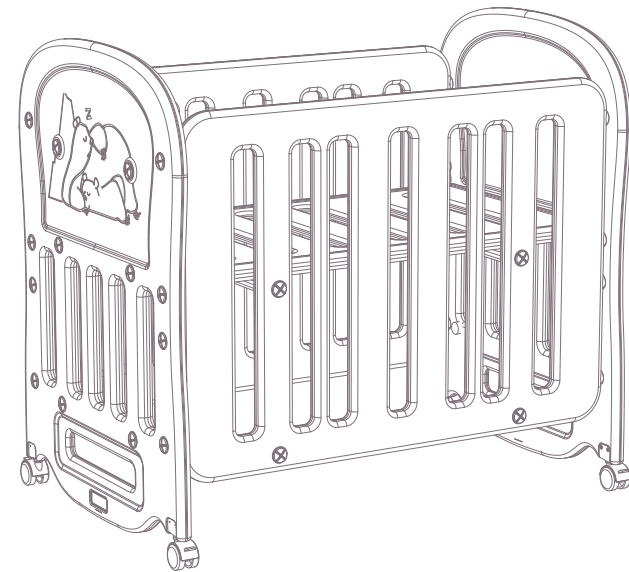
0039-0249471447
clienti@aosom.it

Aosom



INfh035_US
450-010

0-3Y



Simple Baby Crib Instruction Manual

Imported HDPE Eco-friendly & Non-toxic materials Crib
depth adjustable

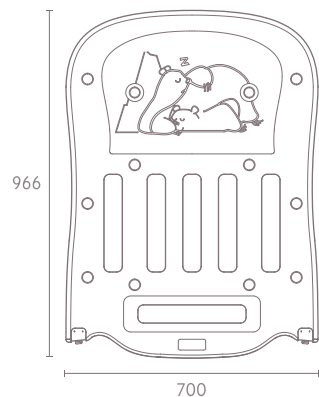
READ AND SAVE THIS INSTRUCTION FOR FUTURE USE

Packing Accessories

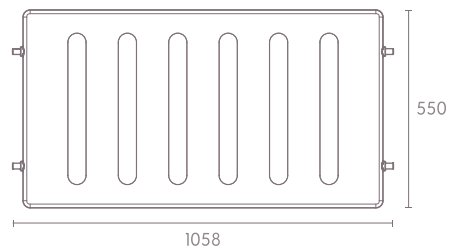
Unit: mm

Please make sure the accessories are complete. Do not affect installation

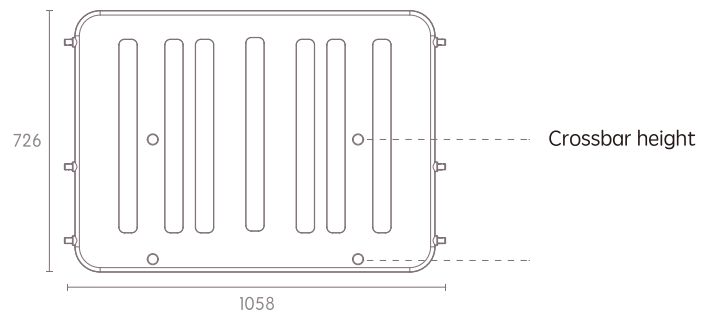
A. Side panel ×2



B. Partition panel ×1



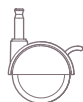
C. Railing panel ×2



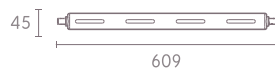
D. Fixing nut ×24



E. Universal wheel ×4



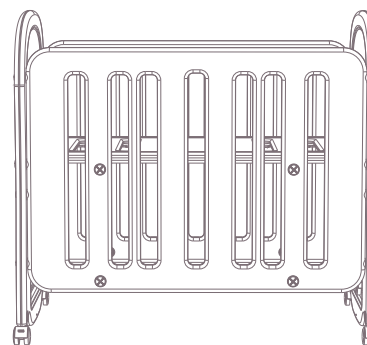
F. Crossbar ×2



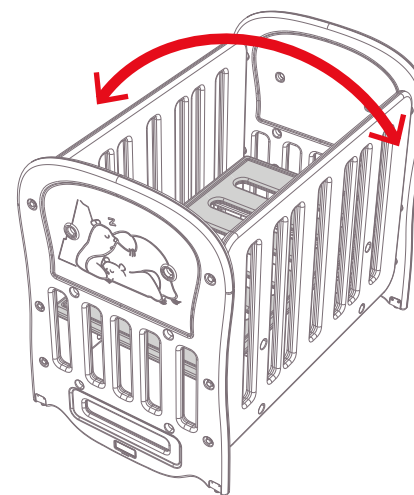
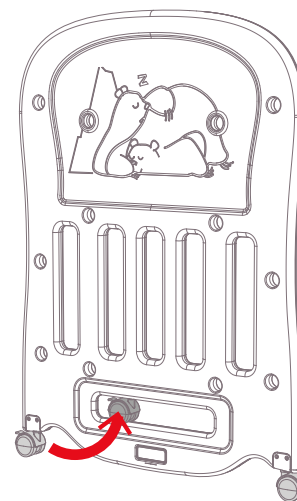
1

Application

Crib depth adjustable



Cradle mode

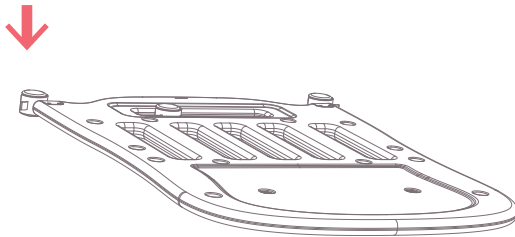


2

Installation

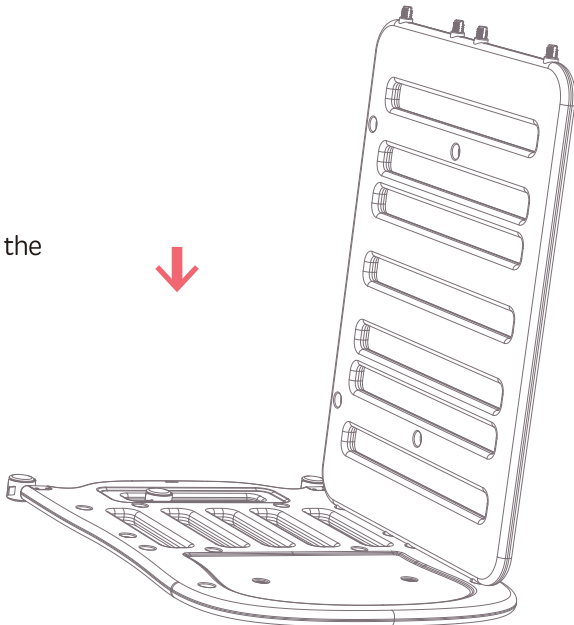
1

- Place the side panel on flat
- The universal wheel (optional)



2

Vertical installation the railing panel

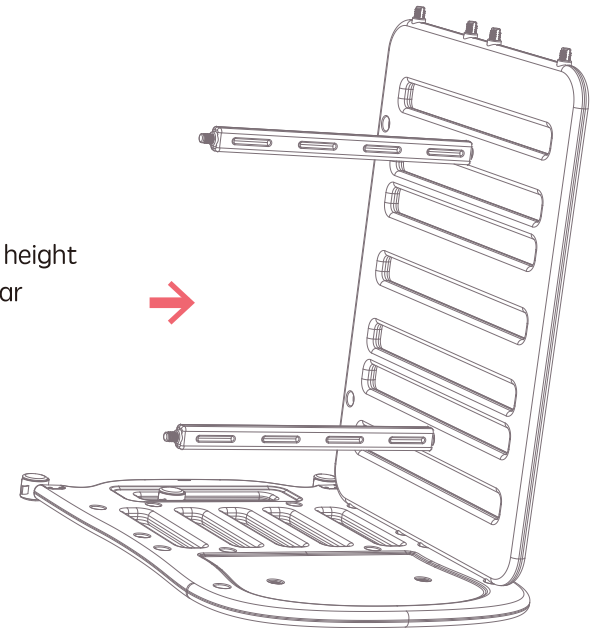


3

Installation

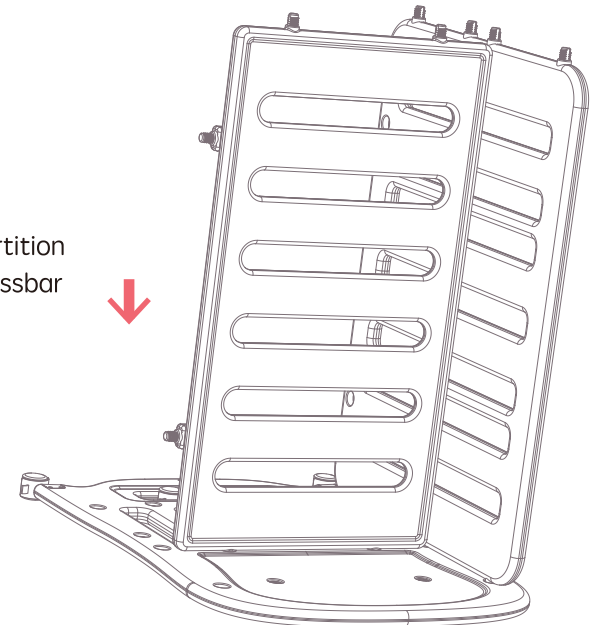
3

Choose a suitable height to install the crossbar



4

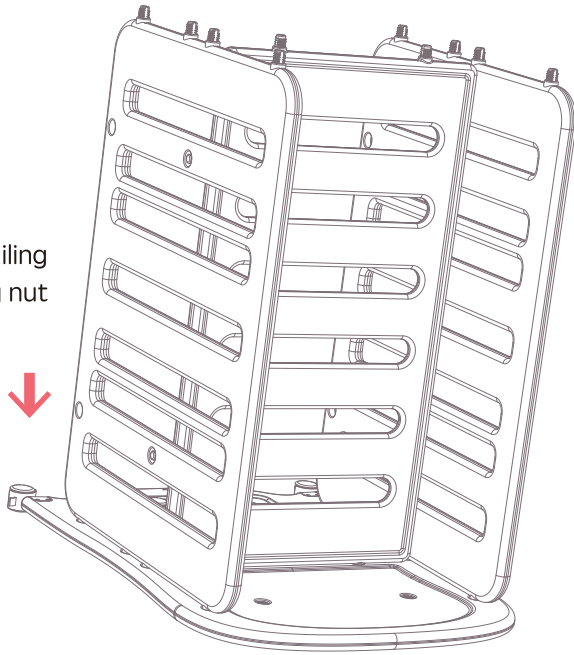
Installing the partition panel above the crossbar



4

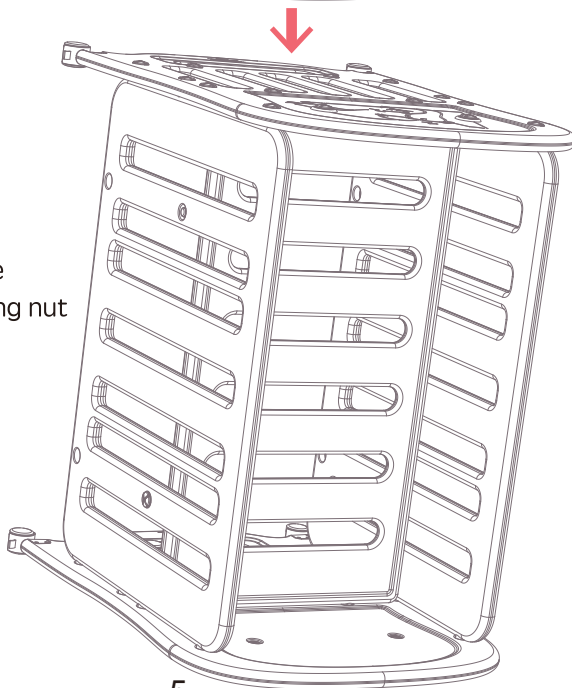
5

Fasten another railing panel using the fixing nut



6

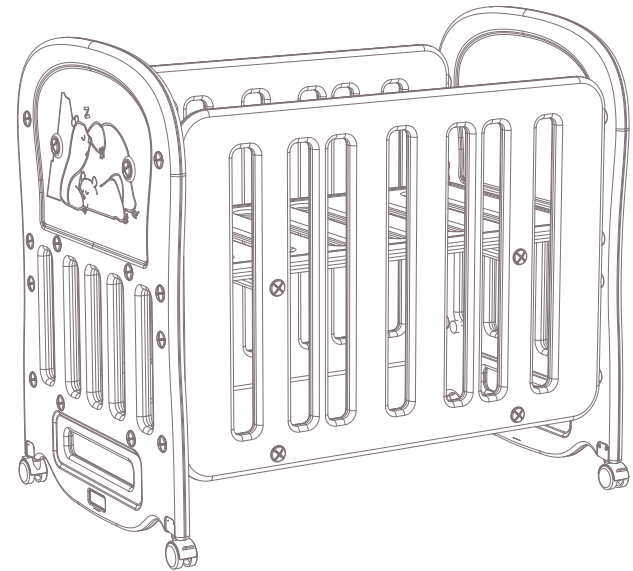
- Fasten another side panel using the fixing nut
- The universal wheel (optional)



5

7

Flip the crib and tighten all the nuts to complete the installation.



SAVETY INSTRUCTIONS

1. Please check and adjust all parts before use.
2. Check regularly whether the connecting element is stable or not during use.
3. Please clean the crib regularly in case of dirty during use.

6