



INfhc015_UK

470-005



Bed fence



IMPORTANT, RETAIN FOR FUTURE REFERENCE: READ CAREFULLY

ASSEMBLY INSTRUCTION

SAFETY TIPS AND WARNINGS:

WARNING: To prevent the danger of suffocation, remove the bag before using this product.

This bag must be destroyed or stored somewhere out of the reach of the children.

This bed barrier must only be used when a child can get in and out of the bed without help.

The recommended age for using the barrier is approximately between 18 months and 5 years.

The operations of fixing, folding or adjusting this barrier must only be made by an adult.

The bed barrier is suitable for mattress of at least 90x190cm and with thickness between 10 and 20cm.

The bed barrier must not be used on a lightweight or low density foam mattress (easily compressible or deformable).

Do not use on raised or bunk beds.

This bed barrier is not in any way a replacement for a cot, for obvious safety reasons.

Do not allow children to play with the barrier or climb on it, it is not a toy.

Do not place the barrier close to heat sources to prevent it from burning or becoming a fire hazard.

When the barrier is folded up, it must be stored out of the reach of children.

Before using it, you must check that the barrier is correctly attached. Regularly check the different parts of the barrier.

WARNING: Do not use the bed barrier if all its components are not correctly assembled and attached.

Do not use accessories or spare parts that are not authorized by the manufacturer.

Do not use any fabric that has not been supplied by the manufacturer.

WARNING: The barrier must not be used on a sleeping surface that exceeds 600mm from the floor.

WARNING: To avoid the risk of strangulation, it is essential that you ensure that when the barrier is adjusted into position, there is a space of at least 250mm (10 inches) between each end of the bed and the end corresponding to the barrier.

Place the barrier so that the distance between its end and the headboard has at least 25cm (10 inches) of separation.

Do not leave the opposite side of the bed unprotected. Protect the other side by placing the bed next to the wall or another similar object.

The bed barrier must be installed so that its side, when it is in its assembled position, touches the side of the mattress.

Once the barrier is installed in place, you must check that the bed barrier is correctly and securely placed.

The bed barrier must be regularly reviewed paying special attention to the safety of any locking mechanism and the hinges used in the product.

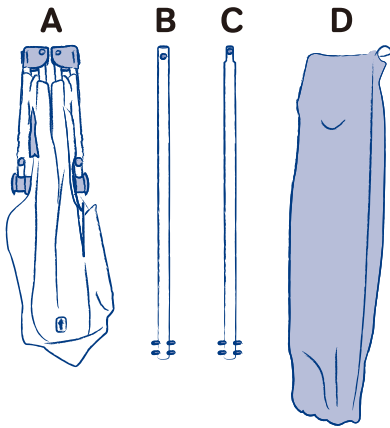
Never use the barrier when the attachment devices are not firmly connected to the bed and mattress.

Seller does not assume any liability for damage that could be caused as a result of a usage or conservation measures that are different to those provided in the instructions.

This product is not suitable for use with elderly or infirm adults or for use in a non-domestic environment.

This barrier is foldable.

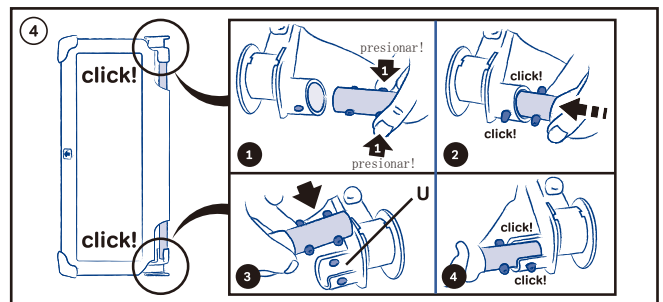
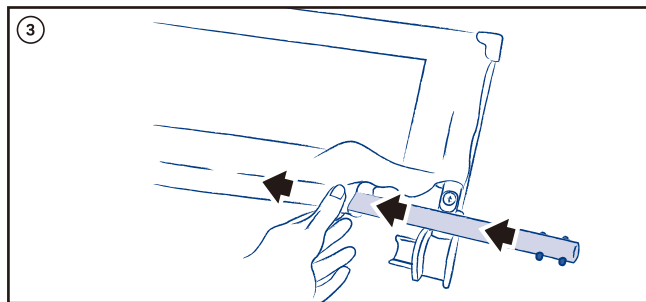
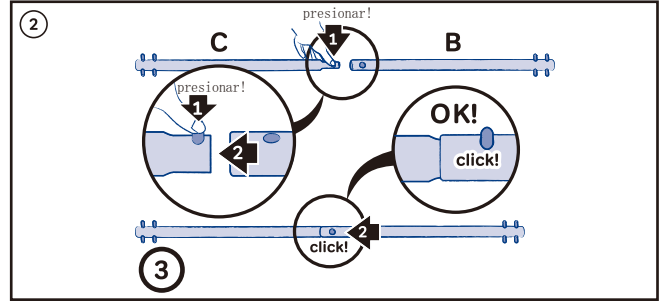
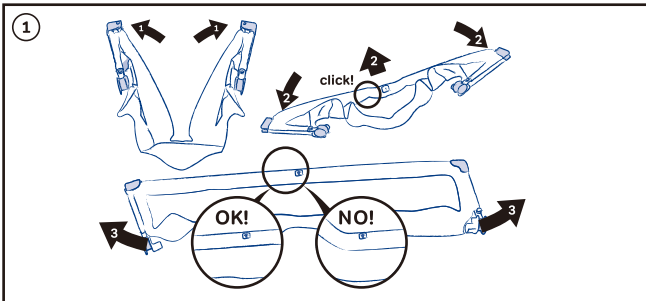
PARTS LIST:

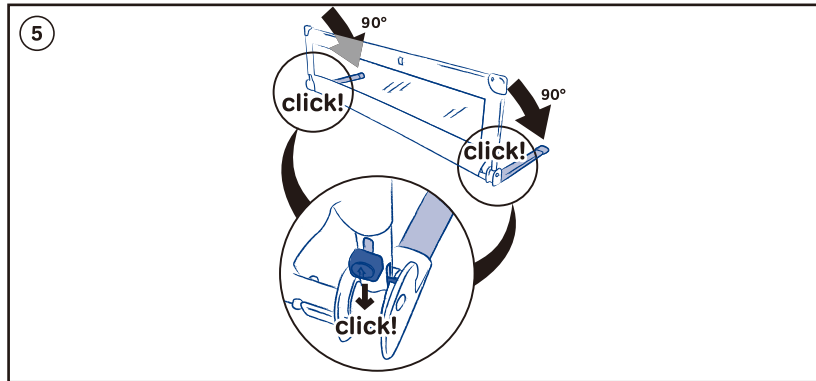


- A-Bed barrier
- B-Female tube
- C-Male tube
- D-Transport bag

OPERATION INSTRUCTIONS:

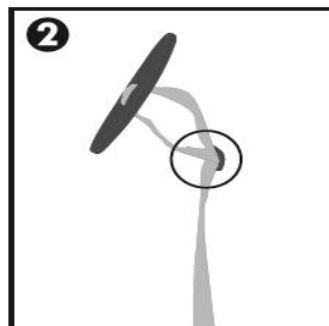
·Assemble barrier



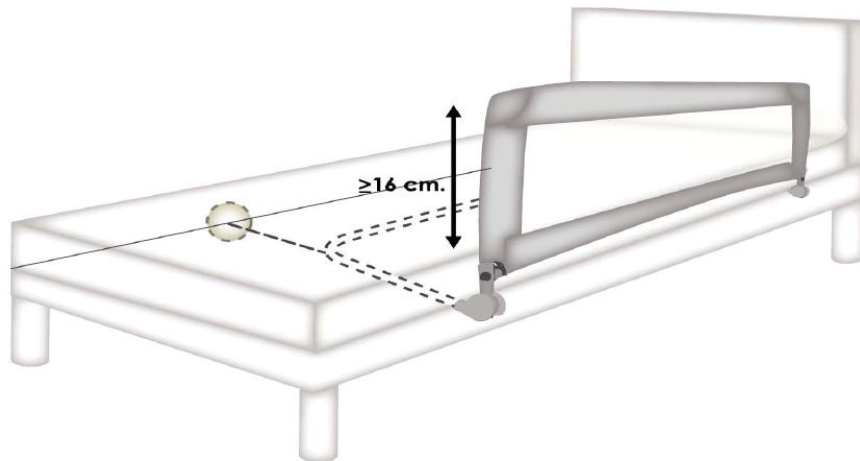


1. Lay the bed barrier on a flat surface. open it by pulling the side bars. Pull the upper side till it's completely horizontal and locked.
WARNING: Check that the upper side is rigid.
2. Insert the tube C into the tube B in order to assemble the tube (to make it easier press the metal button on the tube C).
3. Insert the tube inside the fabric slot at the bottom of the bed barrier.
4. Insert one end of the assembled tube into the side slot. Repeat the same action on the U shaped slot.
WARNING: Check that the outer buttons are locked in the side slots.
5. Open the side tubes of the bed barrier till you reach the 90° position and check that the two safety buttons are locked.

·Assemble barrier to bed



1. Tighten the safety strap under the mattress so that the plate is in parallel, making contact with the base and the mattress.
The width of the mattress should be measured in order to adjust the length of the strap so that it measures the same distance between the net and the round plate at the end of the strap.
2. The length of the strap can be adjusted by its buckle.
3. The safety straps must be placed exactly as it shown in the image.



Keep the barrier vertical and slide the feet of the barrier under the mattress.

Push the barrier until it is attached to the side of the mattress.

Fix the circular part to the other end of the mattress firmly and securely. Ensure that it is fastened: Once installed in place, you must check that the bed barrier is correctly and securely place.

IMPORTANT! The upper part of the barrier must be at least 16cm above the mattress.

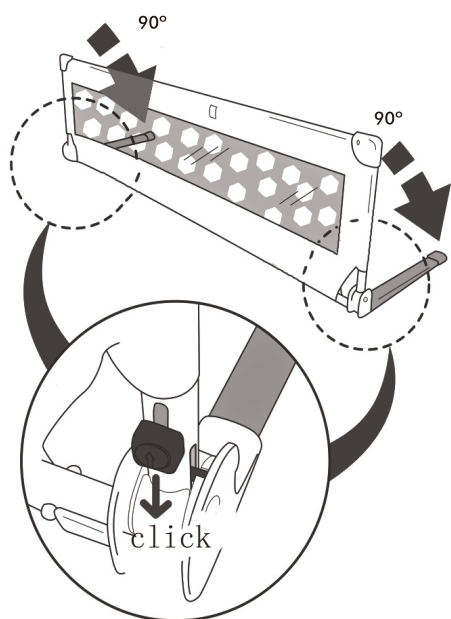


WARNING: To avoid the risk of strangulation, it is essential that you ensure that when the barrier is adjusted into position, there is a space of at least 250mm(10 inches) between each end of the bed and the end corresponding to the barrier (fig.above). Place the barrier so that the distance between its end and the headboard has at least 25cm (10 inches) of separation.

·Storing barrier

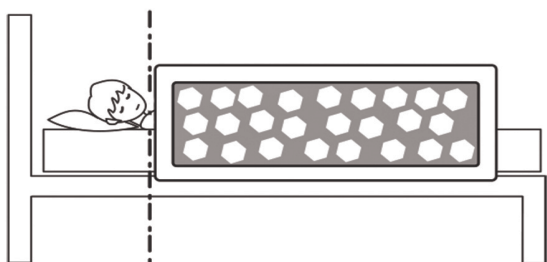
1. Remove the barrier from under the mattress.
- 2.Proceed to follow the barrier assembly instructions in reverse.
- 3.Once disassembled, store inside the travel bag for increased protection.

Open the side tubes of the bed barrier till you reach the 90° position and check that the two safety buttons are locked.

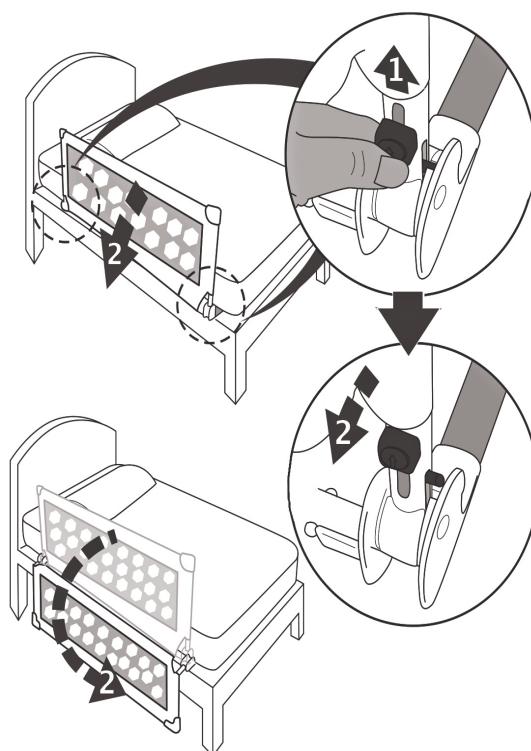


ATTENTION:

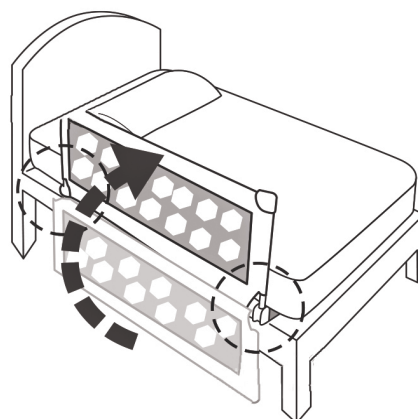
Place the bed barrier with one end at the same height of the child's shoulder.



To lower the bed barrier: unlock both the safety buttons of the side tubes and lower the bed barrier.



To put in place again: pull it up till the buttons can hear a "click".



CLEANING AND MAINTENANCE INSTRUCTIONS:

Please read the product's label carefully.

Do not use any abrasive product to clean the barrier.

Clean the barrier with a soft cloth dampened with water.

The fabric can be washed by hand with a mild soap.

Do not twist, spin-dry or iron.

The metal and plastic parts can be washed with tepid water and a mild soap.

IMPORTANT: Do not use dissolved or bleach that may damage the materials.