

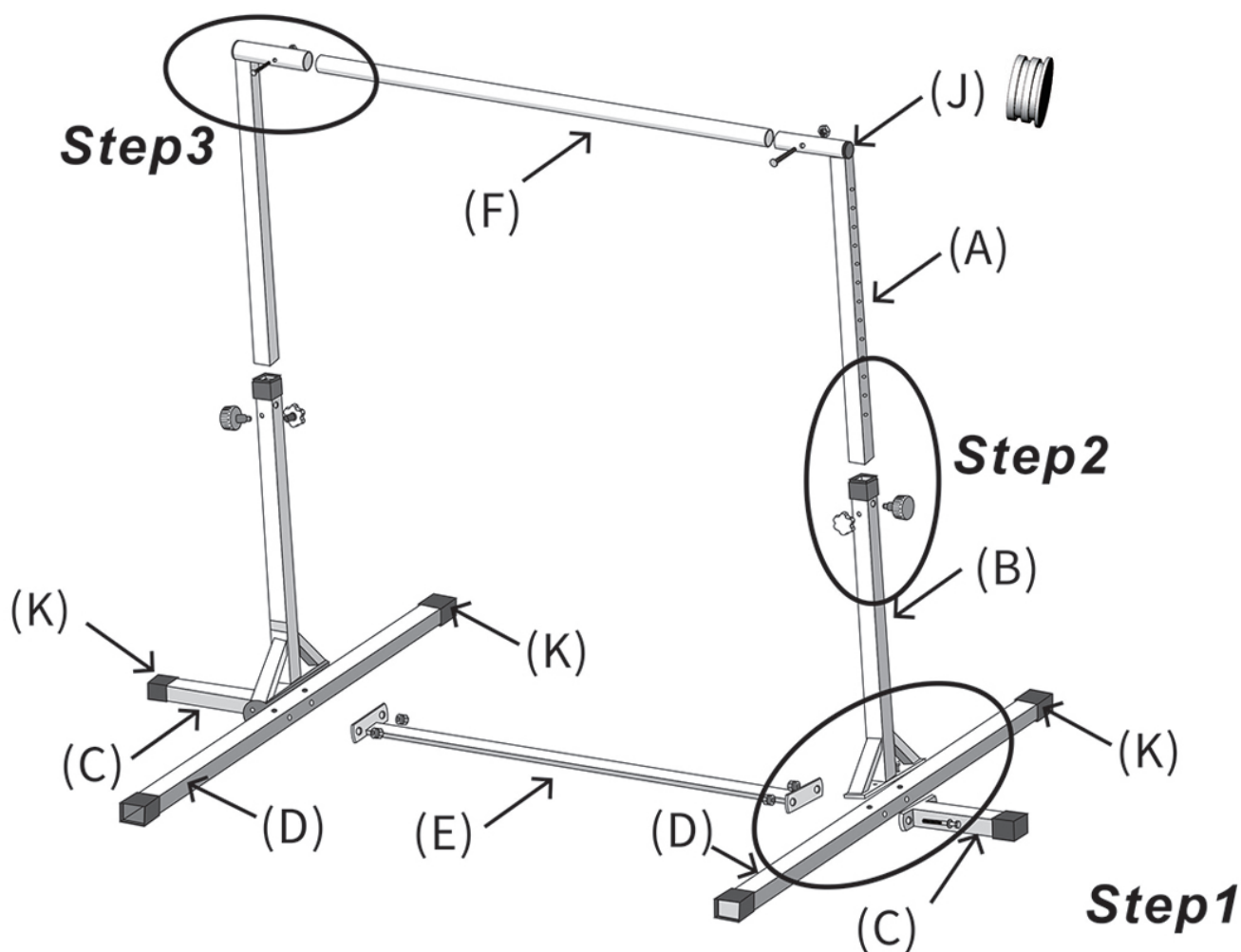


<p>(A)</p>  <p>2PCS</p>	<p>(B)</p>  <p>2PCS</p>	<p>(C)</p>  <p>2PCS</p>	<p>(D)</p>  <p>2PCS</p>	<p>(E)</p>  <p>1PCS</p>
<p>(F)</p>  <p>1PCS</p>	<p>(G)</p>  <p>4PCS</p>	<p>(H)</p>  <p>4PCS</p>	<p>(I)</p>  <p>2PCS</p>	<p>(J)</p>  <p>Self-contained on A 2PCS</p>
<p>(K)</p>  <p>4pcs Self-contained on D 2pcs Self-contained on C 6PCS</p>	<p>(L)</p>  <p>2PCS</p>	<p>(M)</p>  <p>Self-contained on B 2PCS</p>	<p>(N)</p>  <p>2PCS</p>	<p>(O)</p>  <p>2PCS</p>
<p>(P)</p>  <p>1PCS</p>	<p>(Q)</p>  <p>8PCS</p>	<p>(R)</p>  <p>8PCS</p>	<p>(S)</p>  <p>2PCS</p>	<p>(T)</p>  <p>4PCS</p>



Notice:

1. Do not use it if you have any concerns about the stability, condition or suitability of this equipment. Inspect each component for damage, loose fittings or signs of wear before each use.
2. Remember that no equipment can eliminate the possibility of injuries.
3. This equipment is to be used only by properly trained, qualified persons under supervised conditions. Use without proper supervision is dangerous and should never be undertaken nor permitted. Manufacturer shall not be liable or responsible for personal injury or property damages incurred through use of this equipment.



G x 2

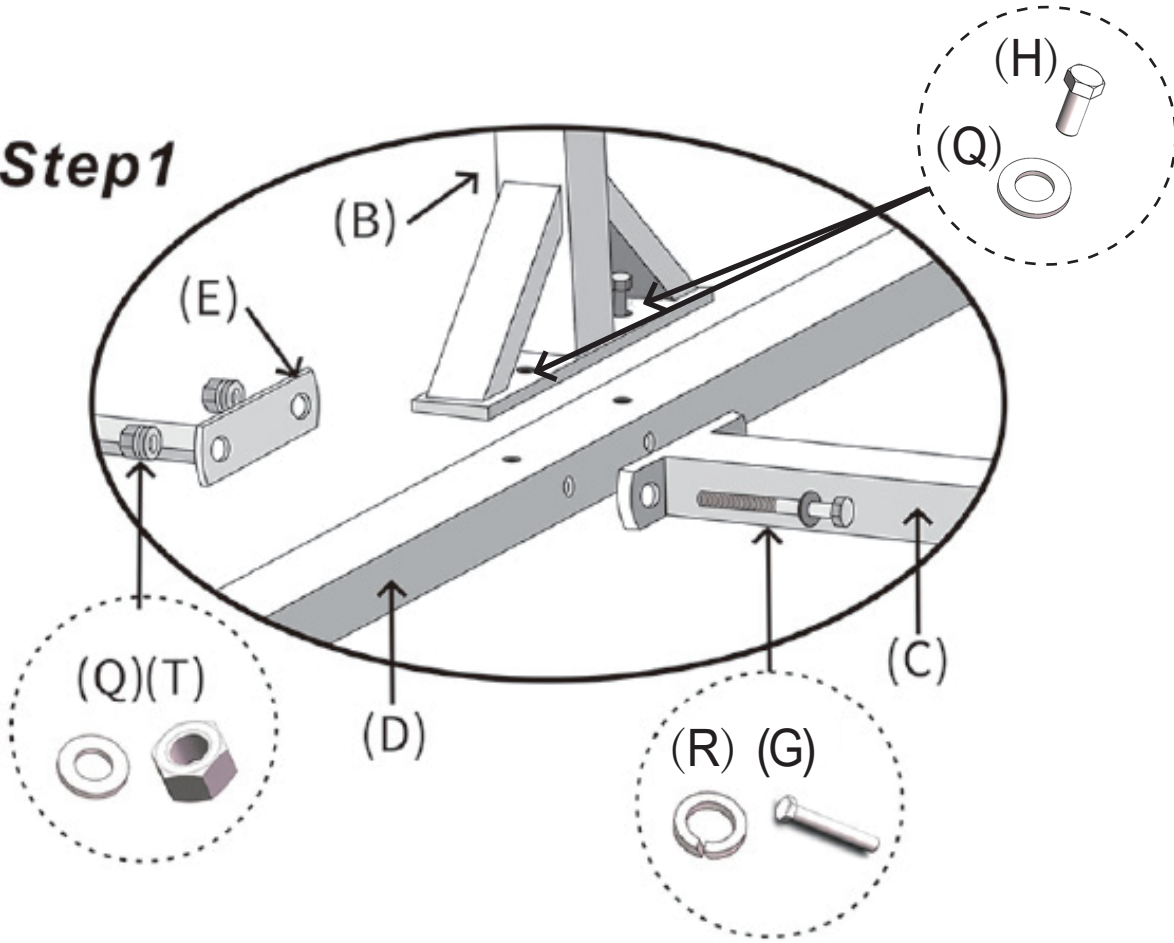
H x 2

Q x 4

R x 2

T x 2

Step 1

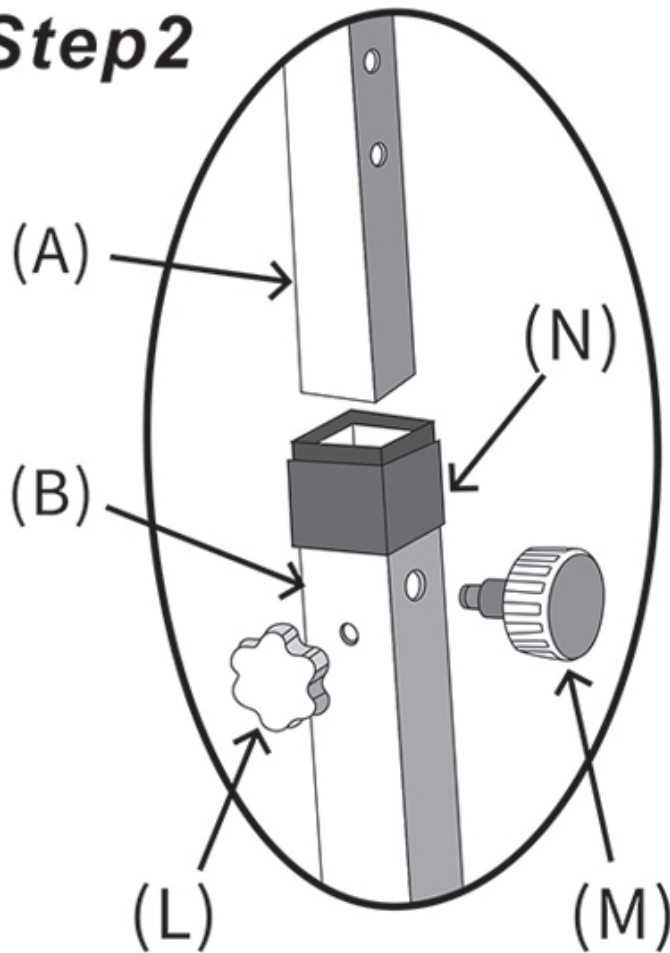


x2

Step 2

L x 1

M x 1



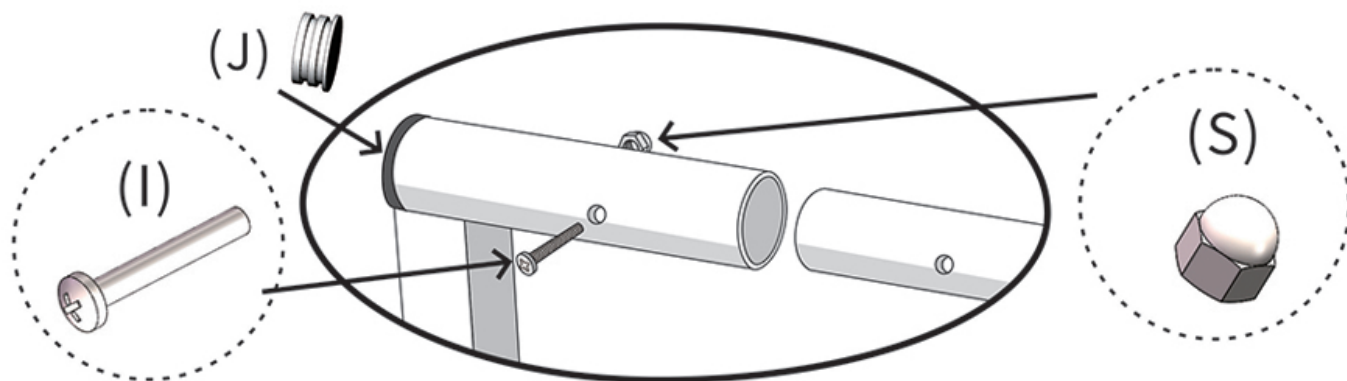
x2

Step 3

I x 1

J x 1

S x 1



x2

Done



US



001-877-644-9366
customerservice@aosom.com

CA



001-855-537-6088
customerservice@aosom.ca

UK



0044-800-240-4004
enquiries@mhstar.co.uk

DE



0049-(0)40-88307530
service@aosom.de

FR



0033-1-84166106
contact@aosom.fr

ES



0034-931294512
atencioncliente@aosom.es

IT



0039-0249471447
clienti@aosom.it