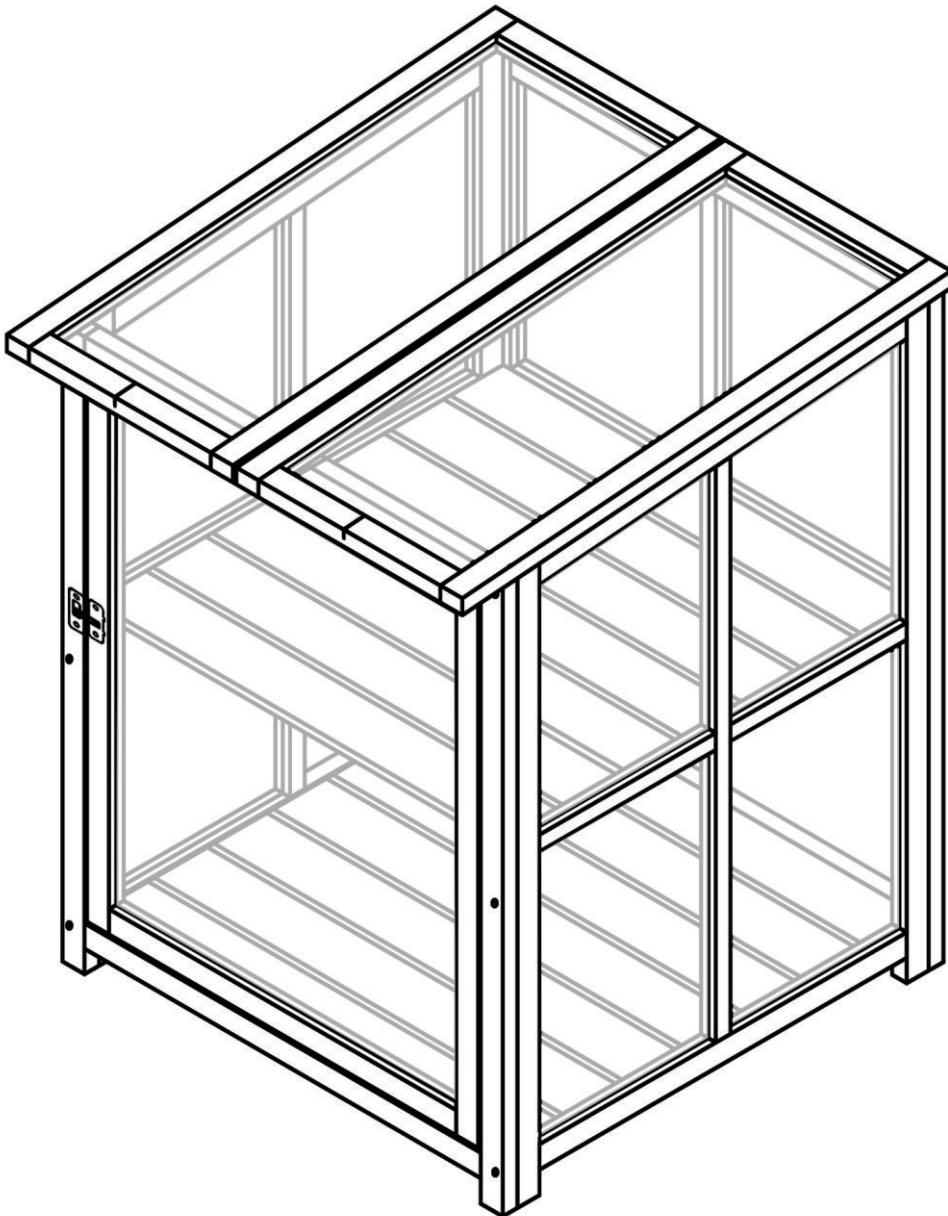




Inbvc015V01\_GL

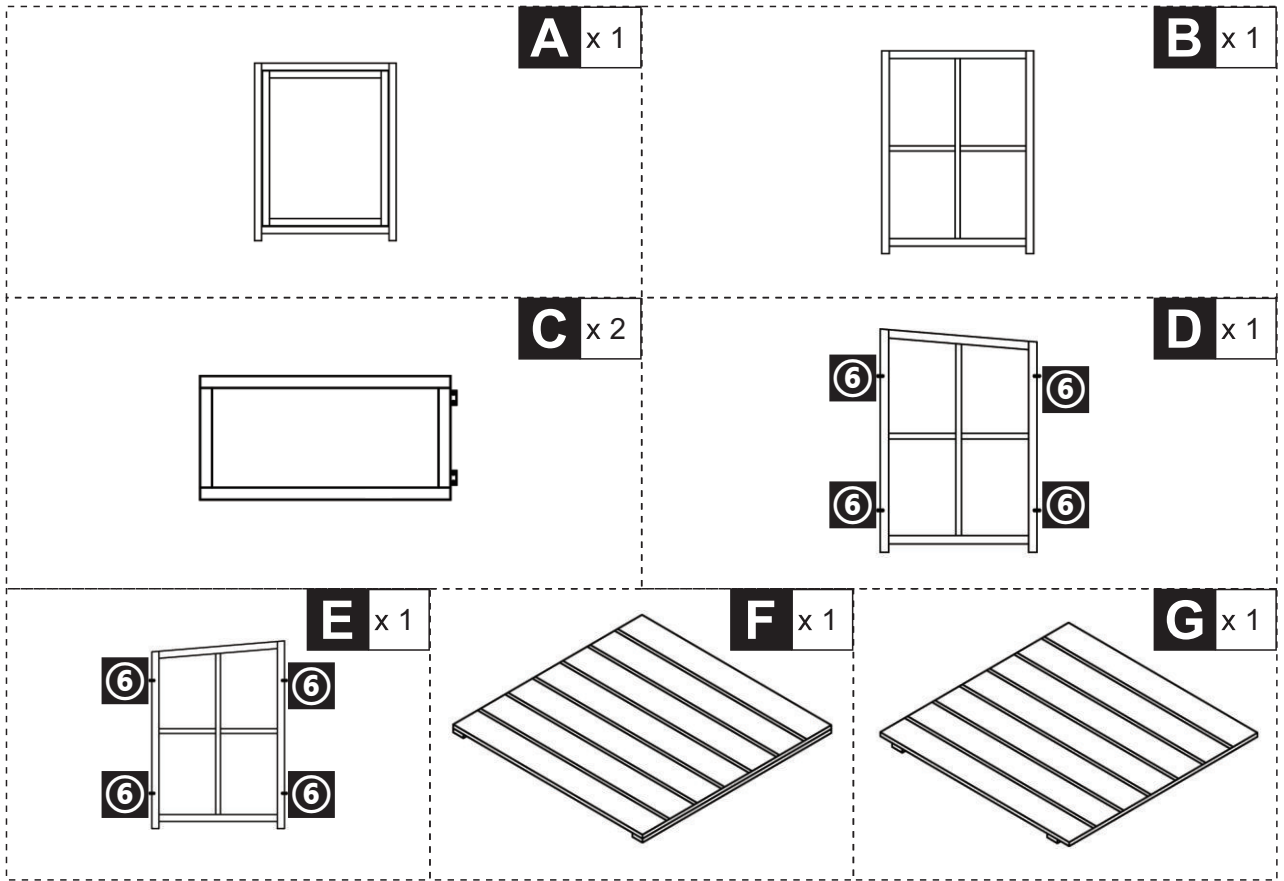
**845-372**



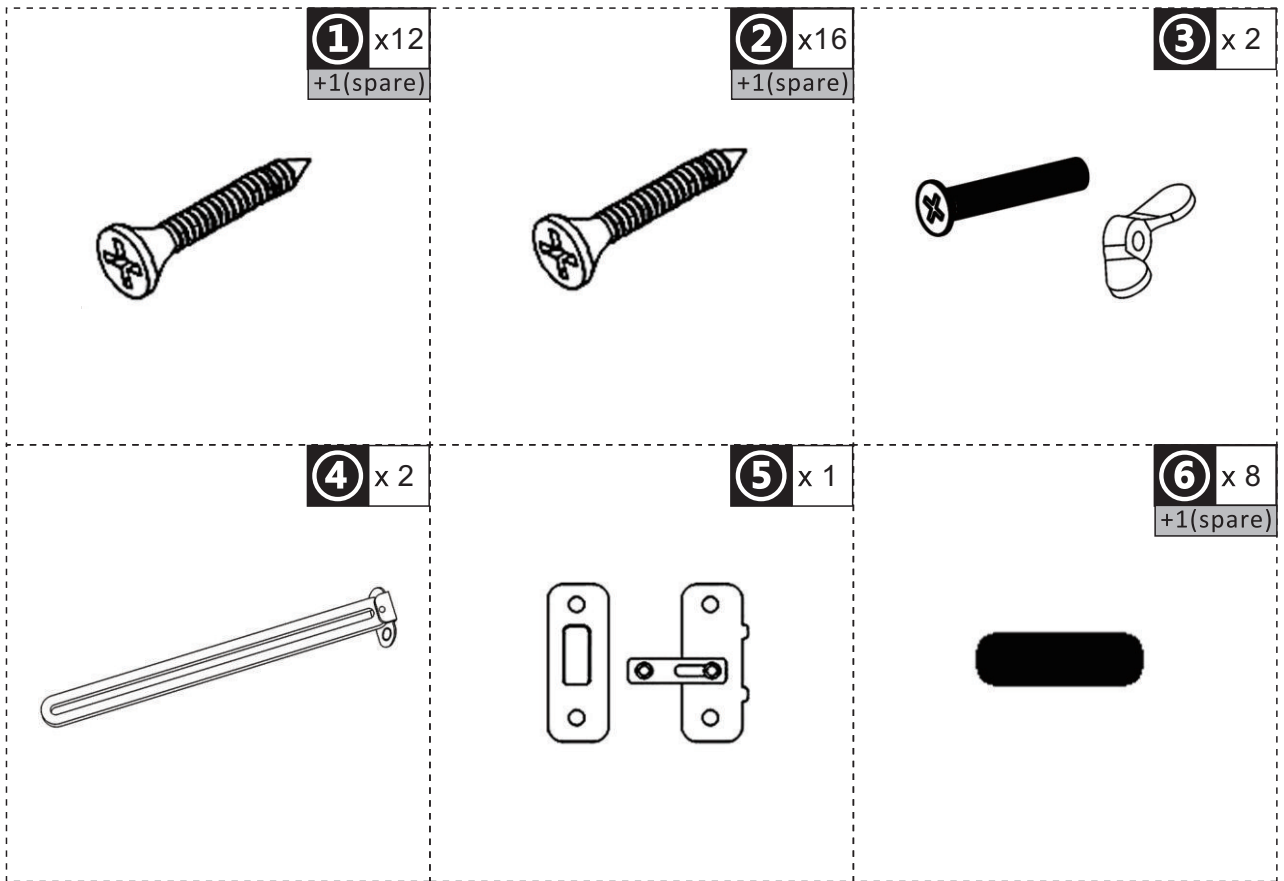
IMPORTANT, RETAIN FOR FUTURE REFERENCE: READ CAREFULLY

# ASSEMBLY & INSTRUCTION MANUAL

**PARTS**



**HARDWARE**



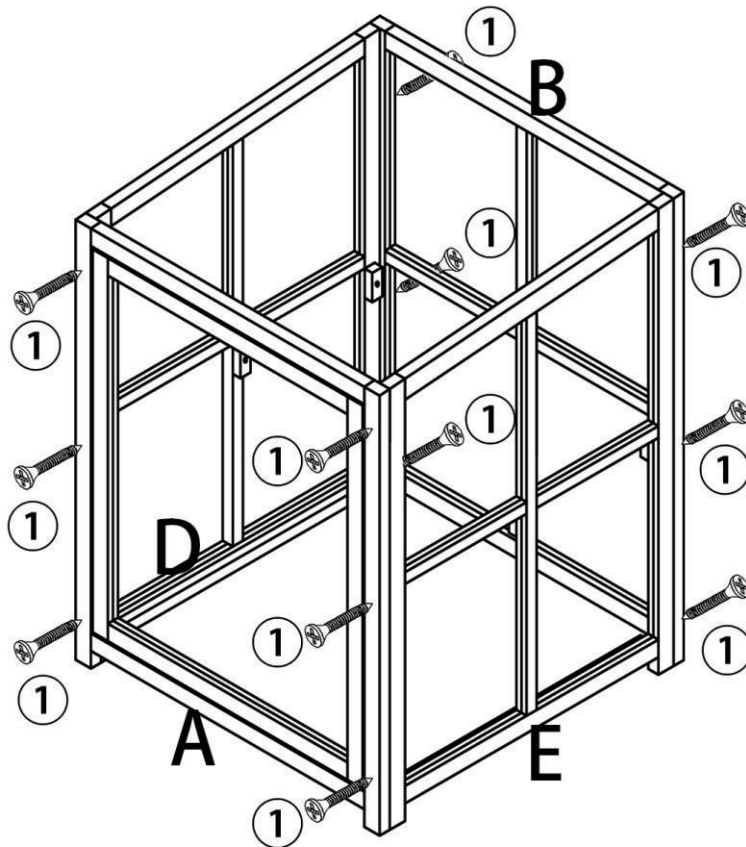
**A** x 1

**B** x 1

**D** x 1

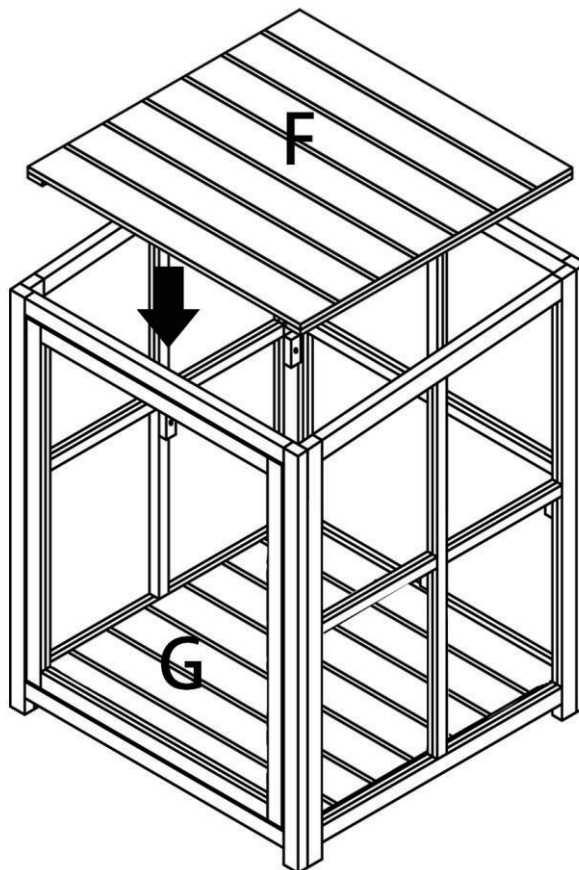
**E** x 1

**1** x 12



**F** x 1

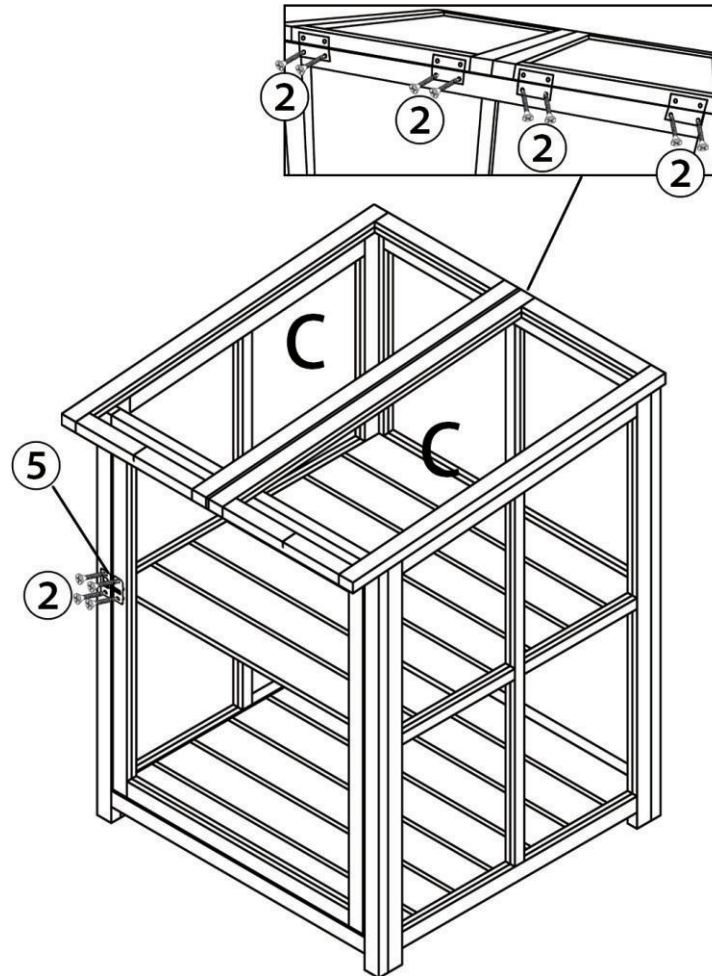
**G** x 1



C x 2

2 x 12

5 x 1



2 x 4

3 x 2

4 x 2

