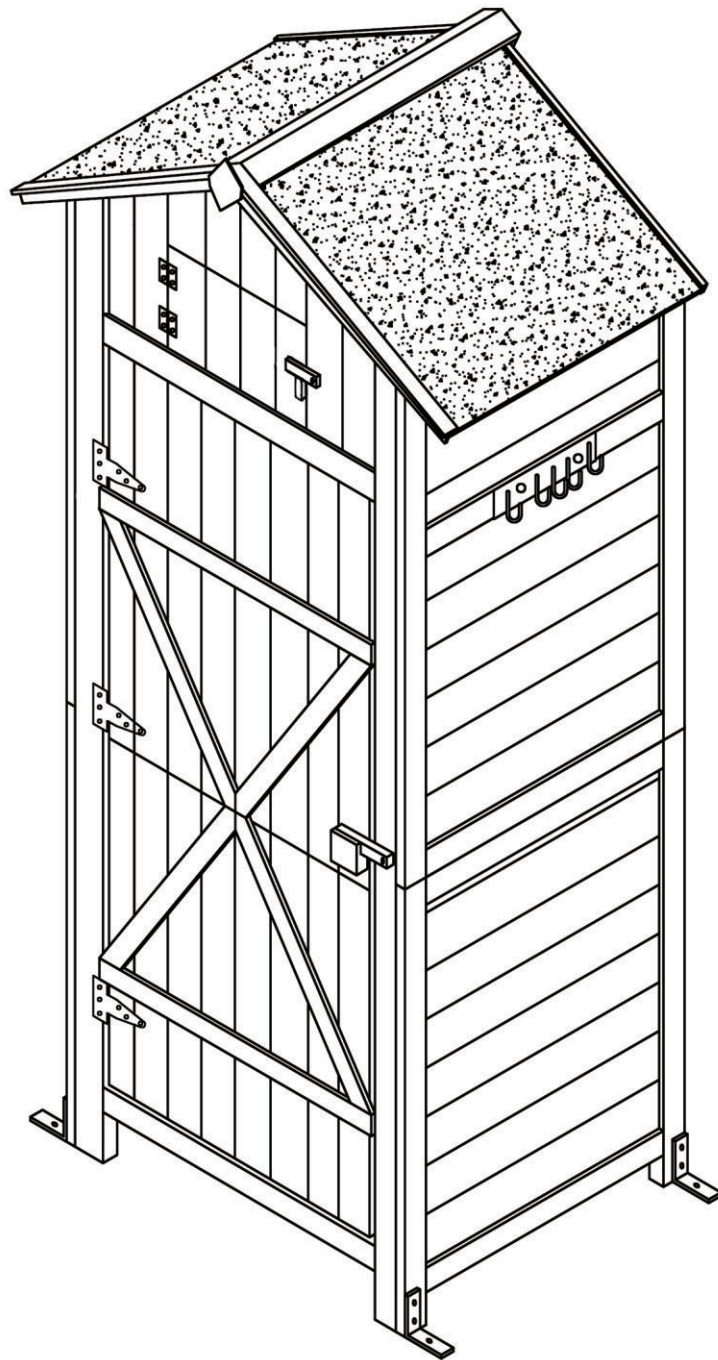




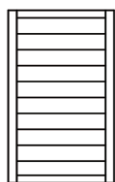
Inbya013V01_GL

845-377

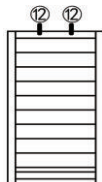


IMPORTANT, RETAIN FOR FUTURE REFERENCE: READ CAREFULLY

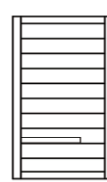
ASSEMBLY & INSTRUCTION MANUAL



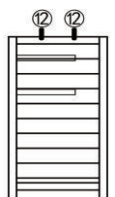
A1 x 1



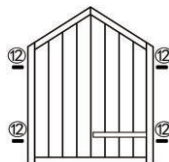
A2 x 1



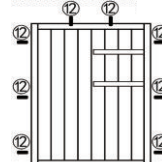
B1 x 1



B2 x 1



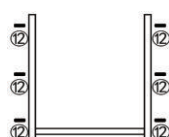
C1 x 1



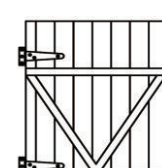
C2 x 1



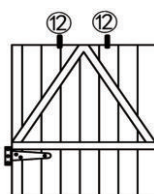
D1 x 1



D2 x 1



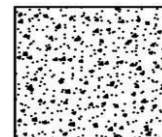
E1 x 1



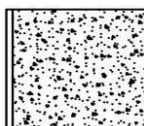
E2 x 1



F x 3



G1 x 1



G2 x 1



H1 x 1



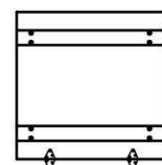
H2 x 1



I x 1



I x 1



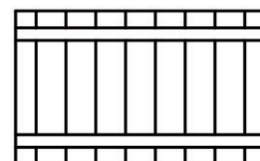
J x 1



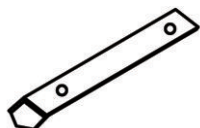
K x 1



L x 1



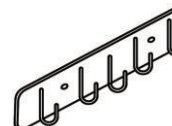
M x 2



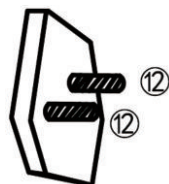
N x 1



O x 1



P x 1



Q x 1

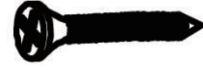
1 x11
M3.0*15
+1(spare)



2 x11
M3.5*25
+1(spare)



3 x23
M3.5*30
+1(spare)



4 x24
M3.5*40
+1(spare)



5 x 9
M3.5*20
+1(spare)



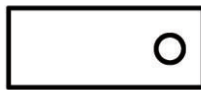
6 x 2
M3.0*20
+1(spare)



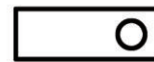
7 x 1



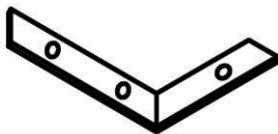
8 x 1



9 x 2



10 x 4



11 x 4
M5.0*100



12 x30
M8.0*20
+2(spare)



13 x 9
M3.0*18
+1(spare)



14 x 4



G1 x 1

G2 x 1

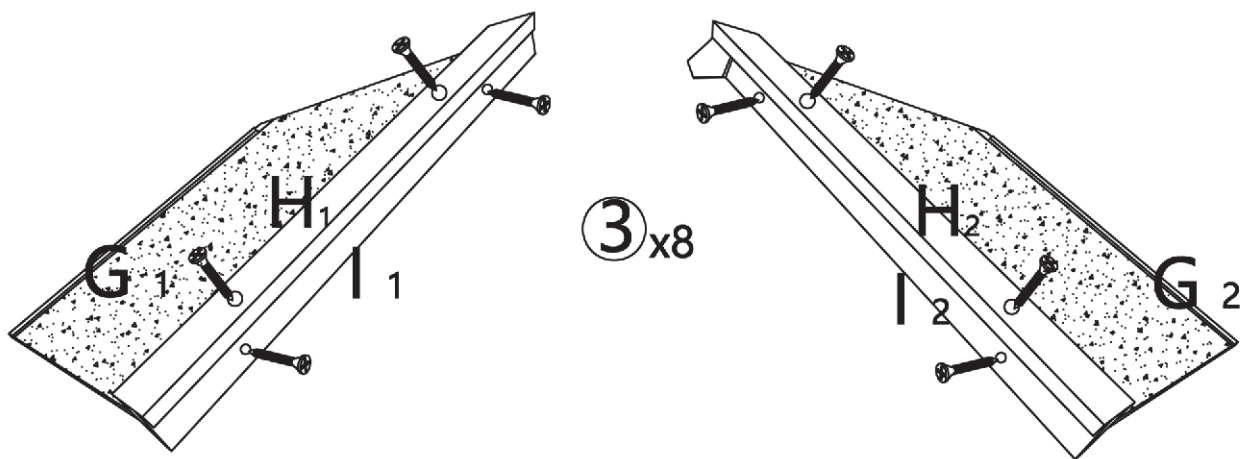
H1 x 1

H2 x 1

I1 x 1

I2 x 1

③ x 8



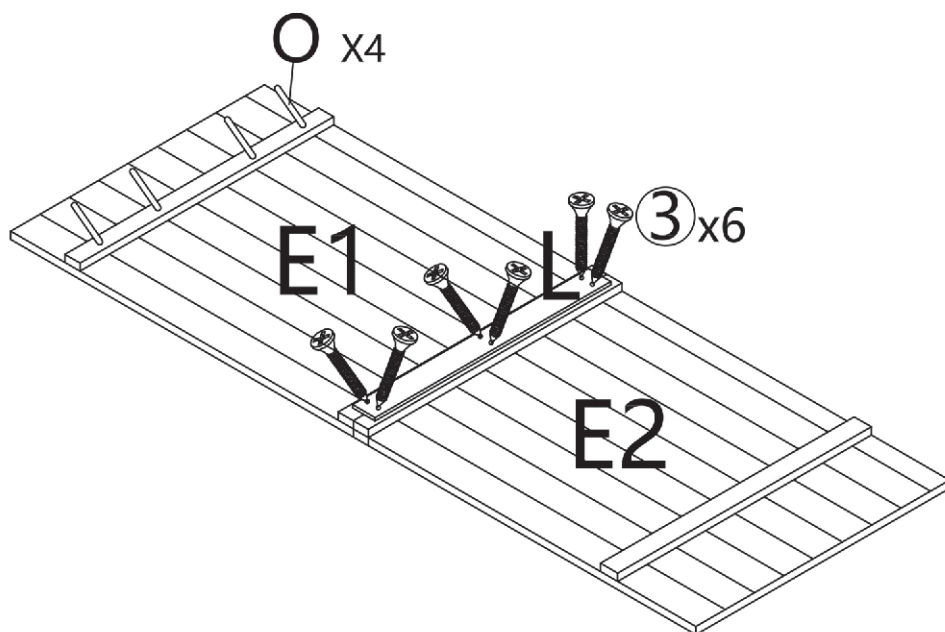
E1 x 1

E2 x 1

L x 1

O x 4

③ x 6



J x 1

K x 1

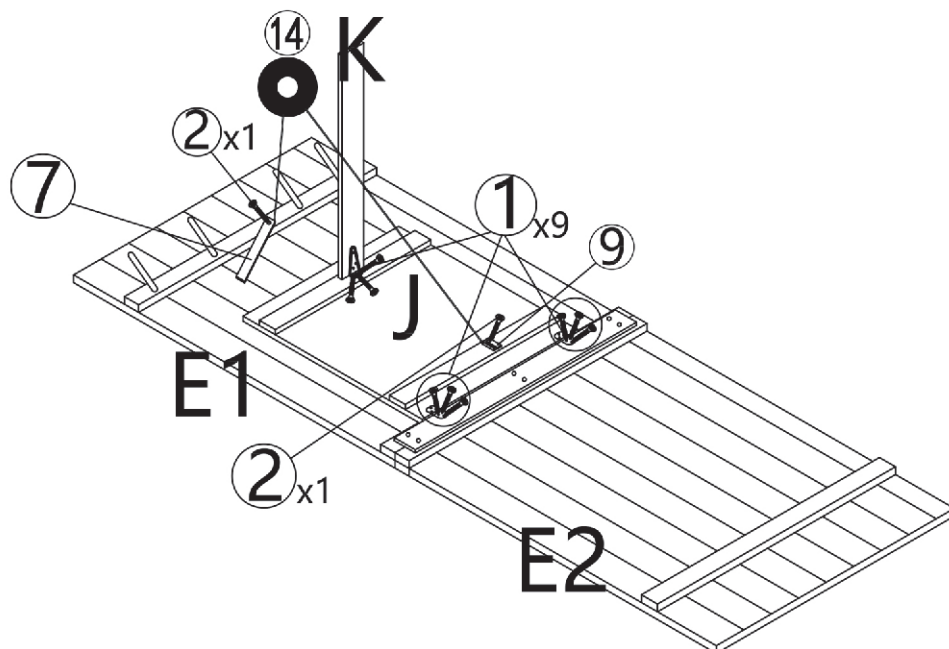
① x 9

② x 2

⑦ x 1

⑨ x 1

⑭ x 2

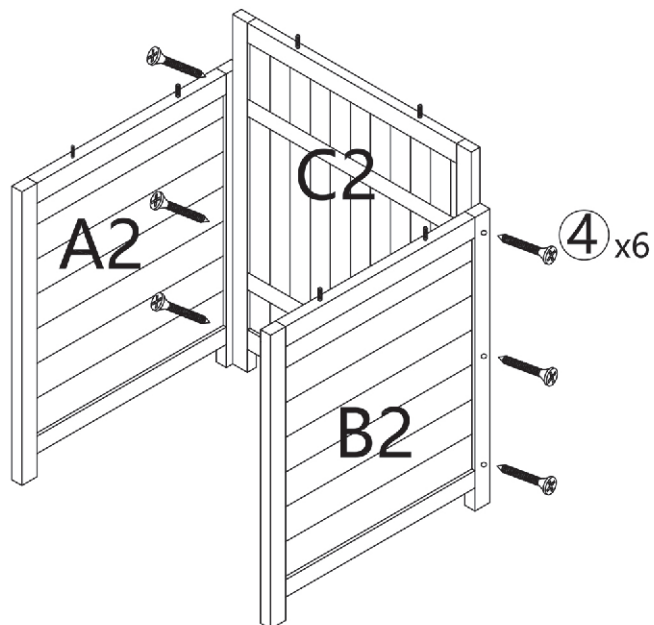


A2 x 1

B2 x 1

C2 x 1

④ x 6



A1 x 1

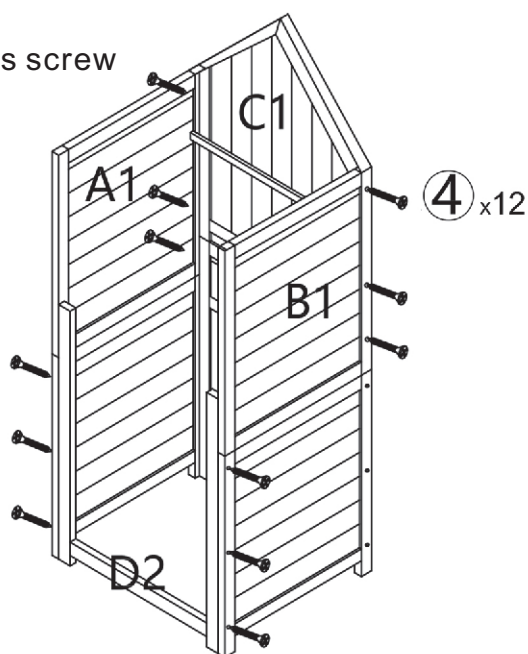
B1 x 1

C1 x 1

D2 x 1

④ x 12

first assemble C1's screw

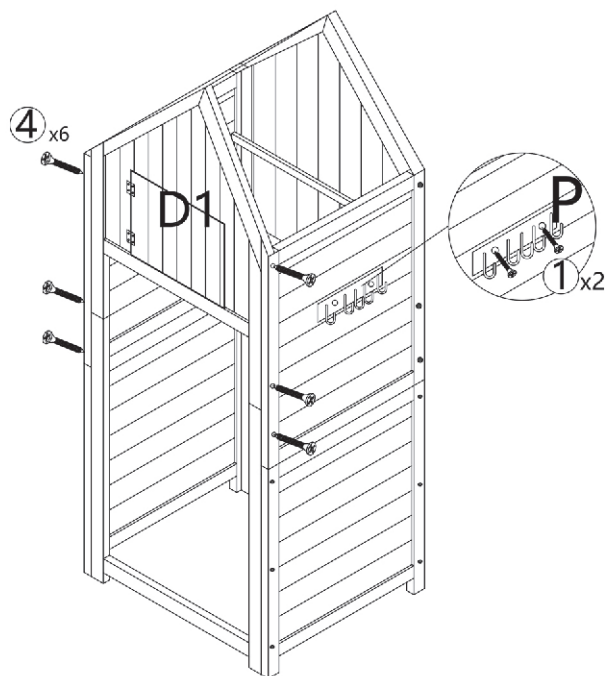


D1 x 1

P x 1

① x 2

④ x 6



F x 3

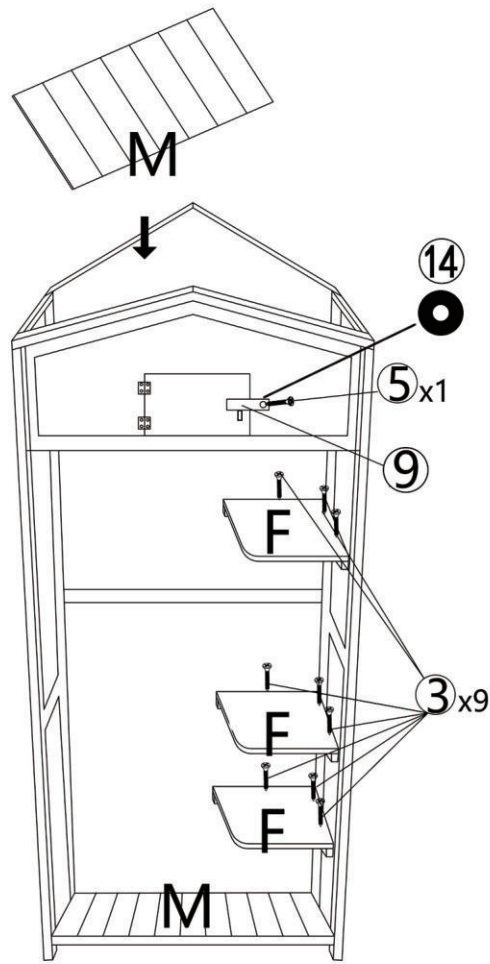
M x 2

3 x 9

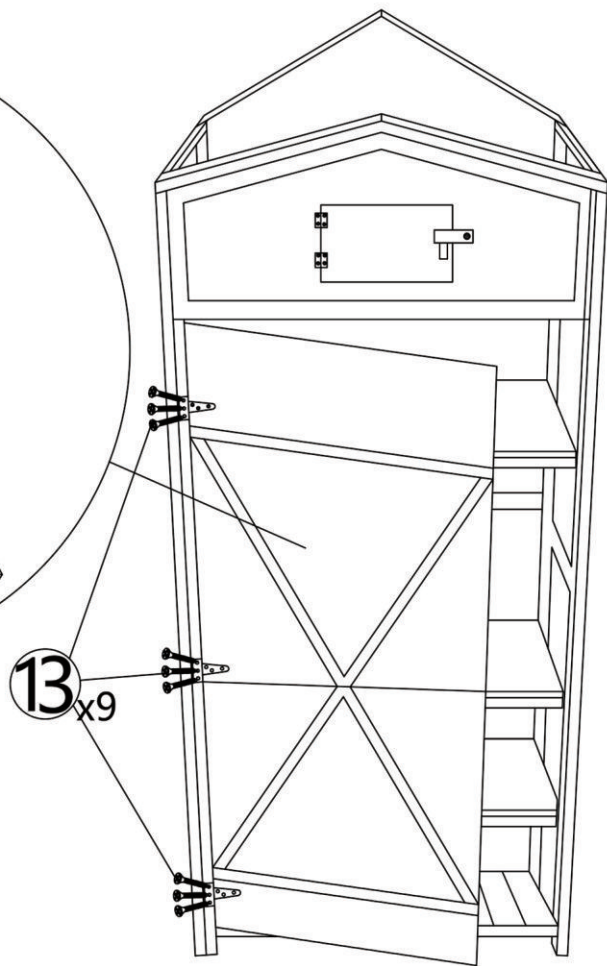
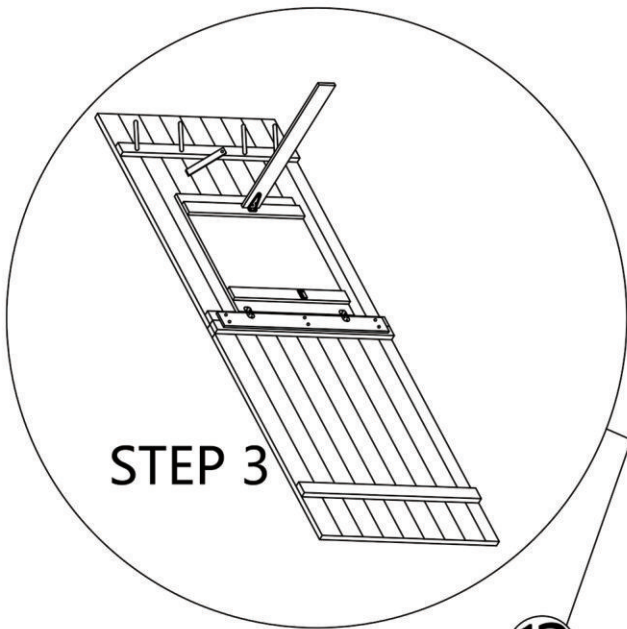
5 x 1

9 x 1

14 x 1



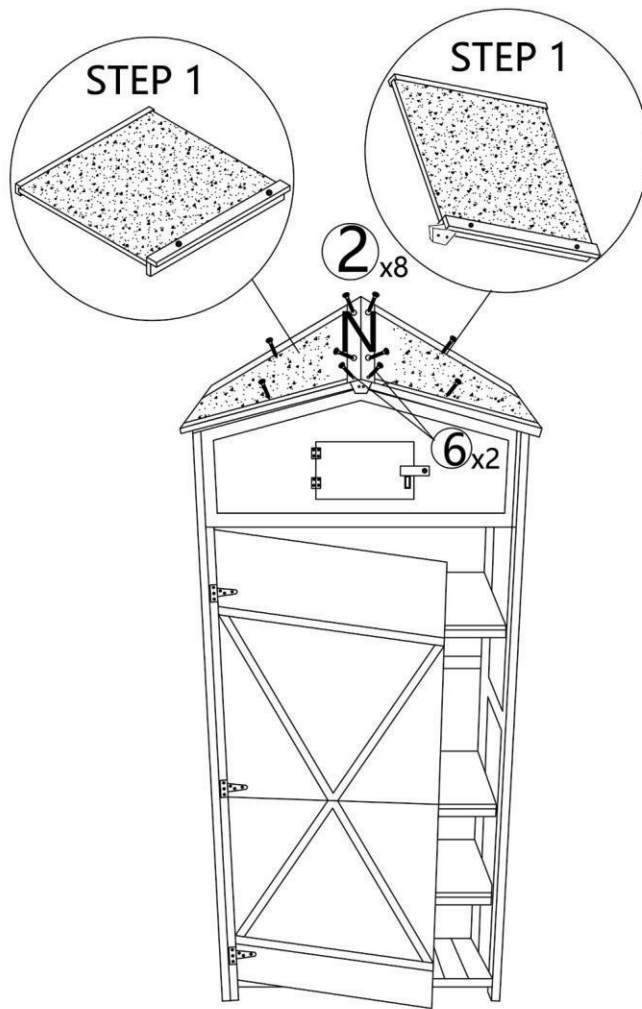
13 x 9



N x 1

2 x 8

6 x 2



Q x 1

2 x 1

5 x 8

8 x 1

10 x 4

11 x 4

14 x 1

