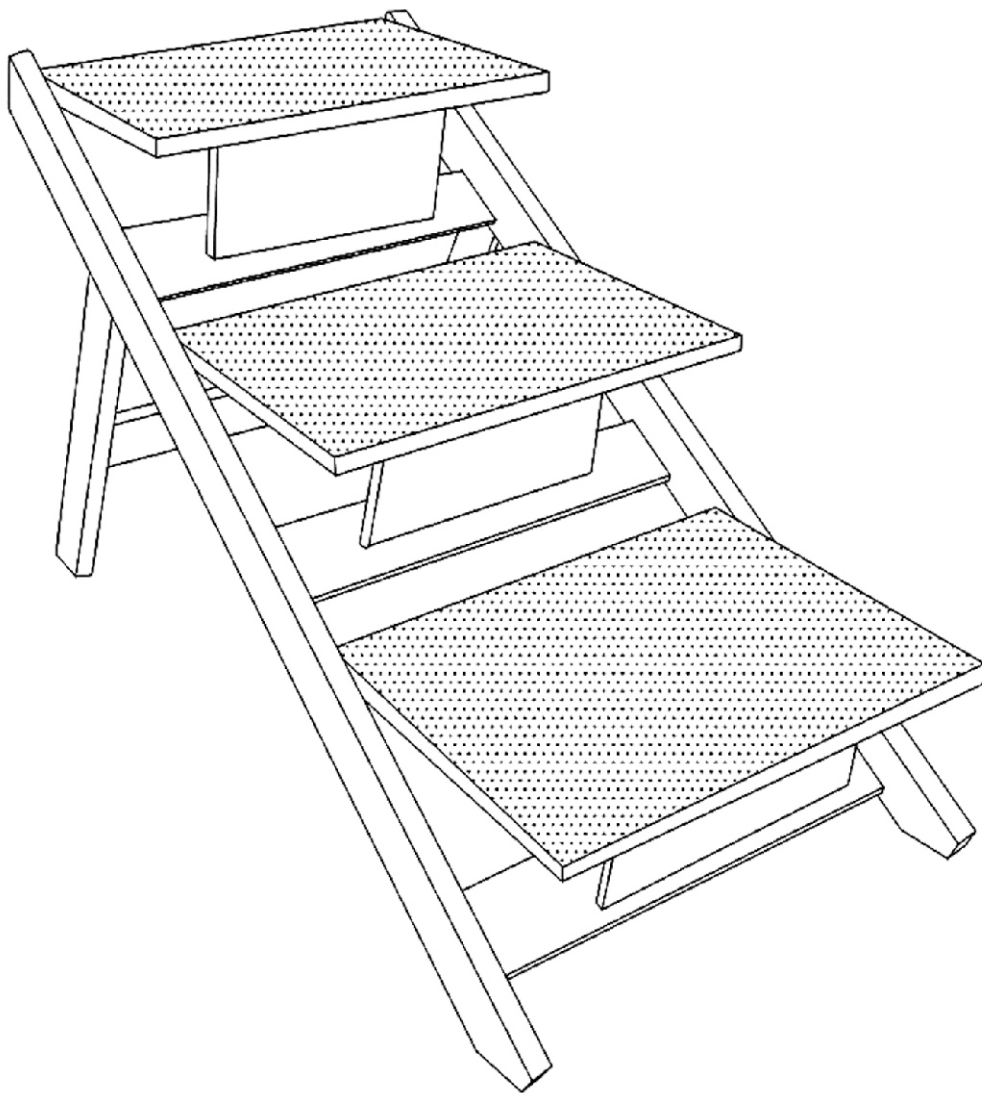


# PawHut®

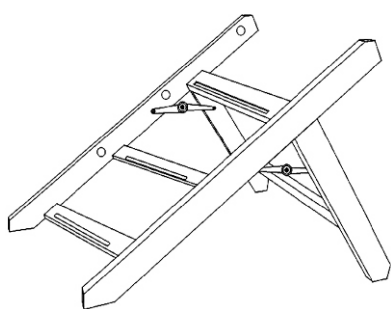
Indbg009\_GL

**D06-070**

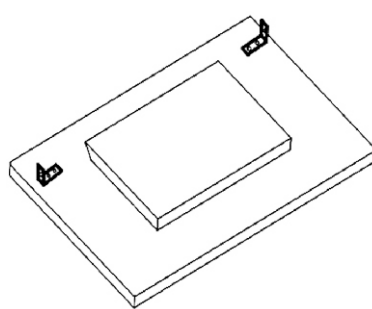


IMPORTANT, RETAIN FOR FUTURE REFERENCE: READ CAREFULLY

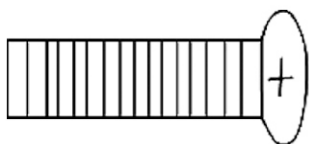
## ASSEMBLY & INSTRUCTION MANUAL



**A** x 1



**B** x 3



**1** x 6  
M6.0\*20



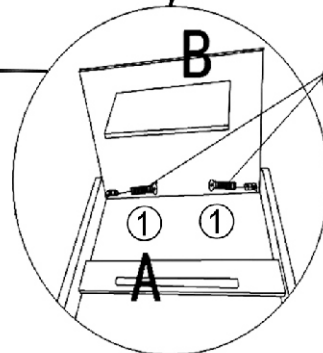
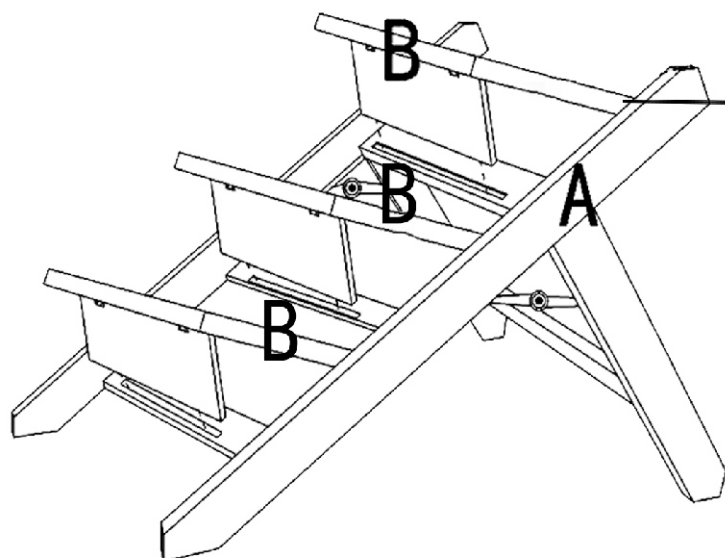
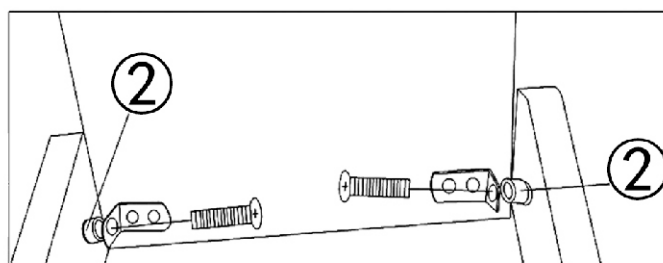
**2** x 6

Ax1

Bx3

**1** x 6

**2** x 6



6\*20mm=6

Done