

TO ENSURE THE FIRM FOOTING AND SAFETY OF YOUR CHILD WHEN LEARNING

TO RIDE THE BALANCE BIKE, YOUR CHILD MUST HAVE AN INSIDE LEG MEASUREMENT OF APPROXIMATELY 35cm.

(INNER LEG MEASUREMENT TAKEN FROM CROTCH TO HEEL)

SAFETY INSTRUCTIONS & IMPORTANT INFORMATION BEFORE FIRST USE:

Parents and guardians should be aware of the following information before allowing children to use the bike:

- Always be cautious when cycling. It is the parents/guardians responsibility to supervise children whilst riding.
- A helmet, elbow and knee pads must be worn whilst cycling. Loose clothing is not permitted, and closed toe shoes must be worn.
- Not to be used at night.
- Do not cycle on roads or near traffic. It is recommended to use pavements when riding.
- Teach your child how to use the bike, how to balance and steer. Continue to assist your child until they can ride independently and safely stop.
- Teach your child to observe traffic rules, traffic lights, stop signs, one way systems and to slow down when approaching driveways.
- Stop at crossings and look in both directions before proceeding.
- Pedestrians should have right of way. Only cycle on pavements and exercise caution.
- Never hold onto other vehicles whilst riding.
- Keep away from wet and uneven roads when cycling.
- Check the bolts and nuts are secure before every use.

MAINTENANCE

Clean with a damp cloth or sponge, then dry it with a dry clean cloth.

Regular checks should be carried out to ensure no parts are damaged and nuts, screws, bolts and hardware are secured.

Moving parts should be lubricated regularly to keep in good condition.

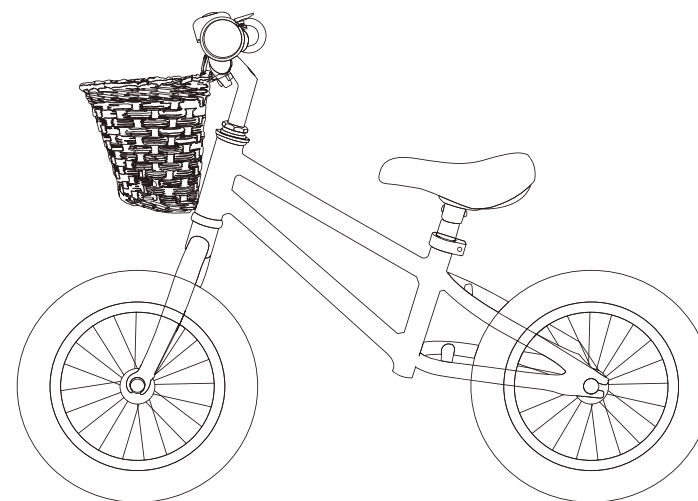
For professional maintenance, contact a mechanic.

WARRANTY

Store indoors, protecting the bike from different weather conditions. Warranty does not cover rust of the bike or basket.



INfga054_UK_370-206

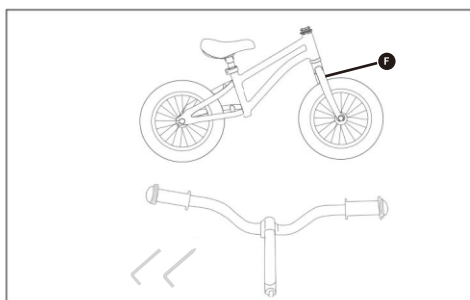
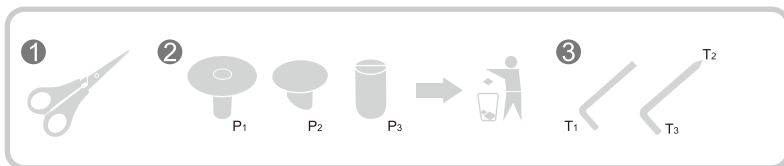
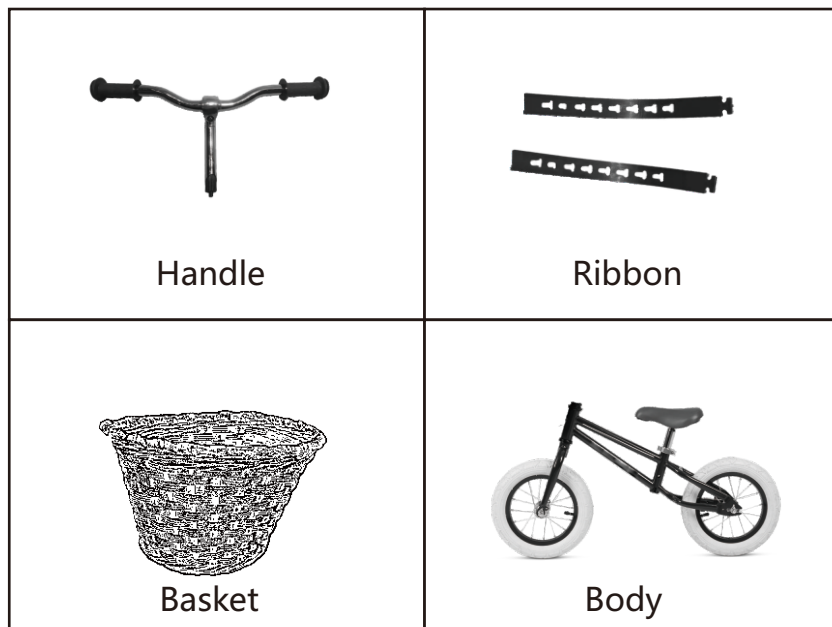


OWNERS MANUAL

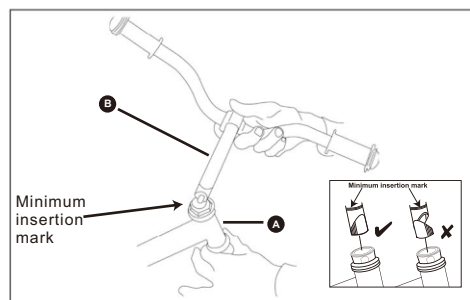
! WARNING:

Adult assembly required. Product includes small parts with potentially hazardous sharp points and sharp edges in the assembled state. Keep unassembled parts away from children.

IMPORTER ADDRESS:
MH STAR UK LTD
Unit 27, Perivale Park,
Horsenden lane South
Perivale, UB6 7RH
MADE IN CHINA

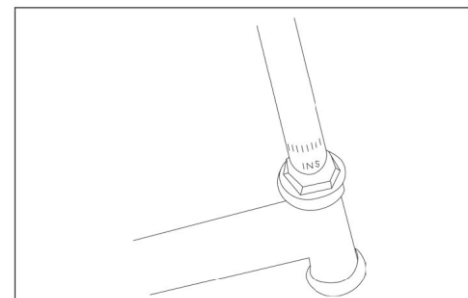


Tools and parts.

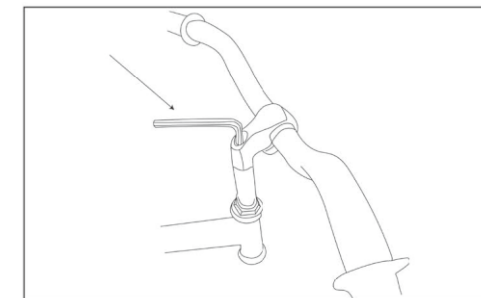


Attach the handlebars.

! WARNING! When assembling the handlebars and stem, make sure it is inserted beyond the **minimum insert mark**. Failure to observe this warning may lead to a potentially unstable bike and may result in serious personal injury.
 If necessary loosen the stem bolt at the top of the handlebars and stem **B** to allow the wedge nut to move freely.
 Ensuring the wedge nut is correctly aligned, insert the lower end of the handlebars and stem **B** into the head tube of the bike **A**.



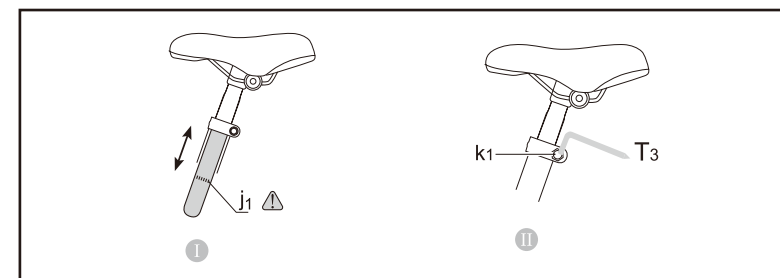
Insert the stem so it is lower than the safety line.



Tighten the handle stem using the Allen key.

! WARNING! When assembling the handlebars and stem to the bike frame make sure the forks are facing in the correct direction. If the forks are assembled correctly, the front brake should be facing forwards. Failure to observe this warning may prevent their correct operation and may lead to personal injury and damage to the bike.

Adjust the handlebars and stem **B** to the desired height and align with the forks **F**. The forks must be facing in the right decision as shown.



Use the supplied spanner T4 to loosen the nut (k1) anticlockwise. Insert the seat pole to the proper position and make sure the safety line (j1) cannot be seen. Adjust the saddle to your required height. The seat's lowest position is when the pole is almost completely in the middle tube. Ensure the clamp can be tightened. Use spanner T3 to tighten the nut (k1) clockwise. Ensure the saddle is secure.