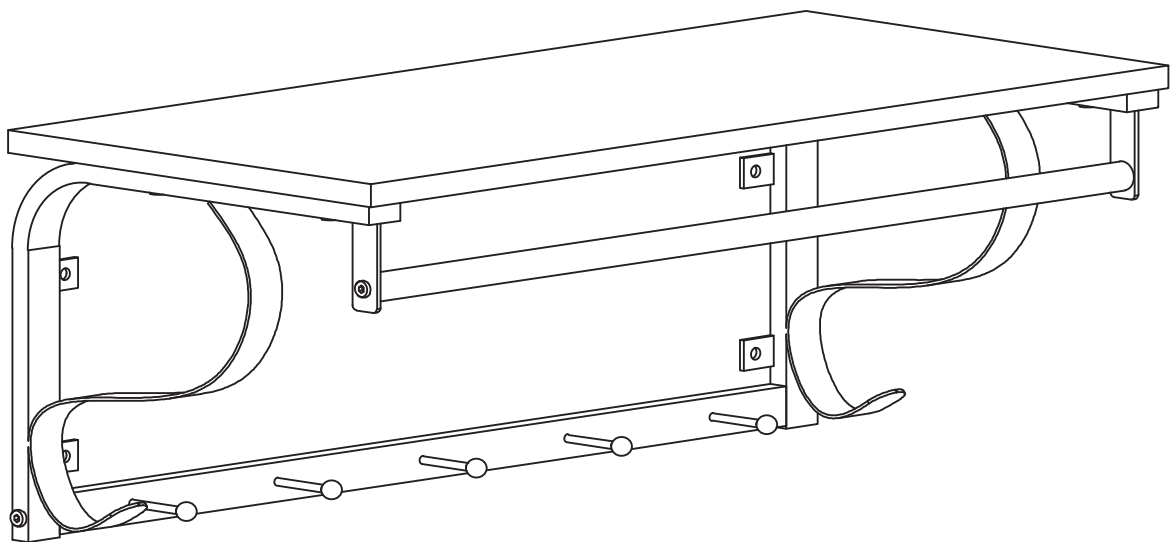




INcob034\_US\_CA\_UK\_ES\_DE\_IT

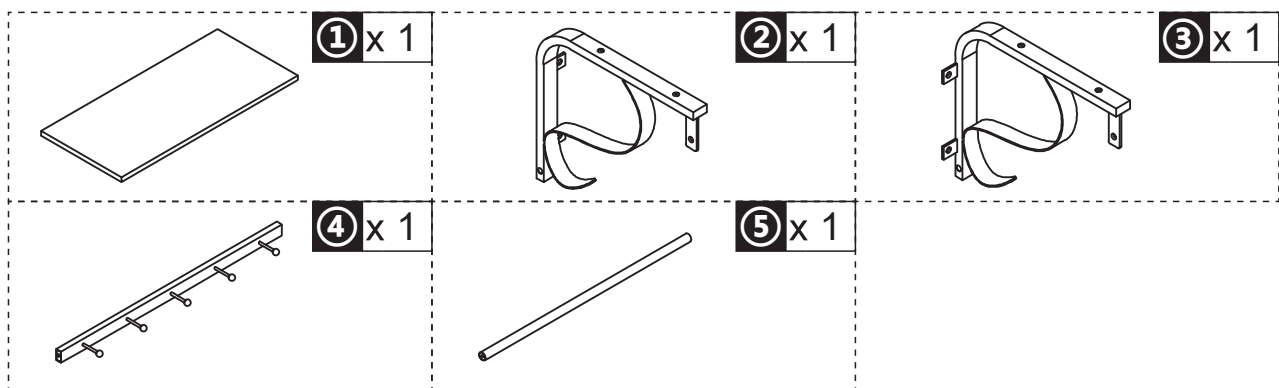
**830-454**



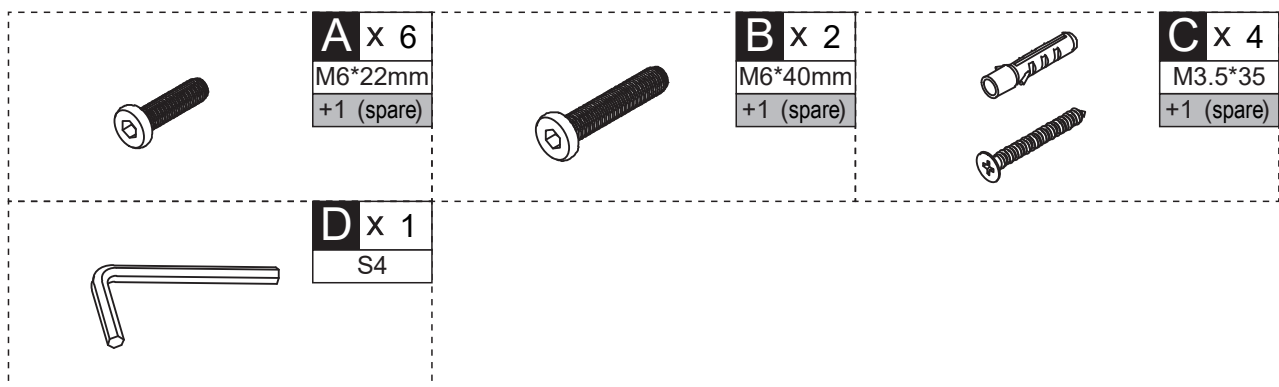
IMPORTANT, RETAIN FOR FUTURE REFERENCE: READ CAREFULLY

# ASSEMBLY INSTRUCTION

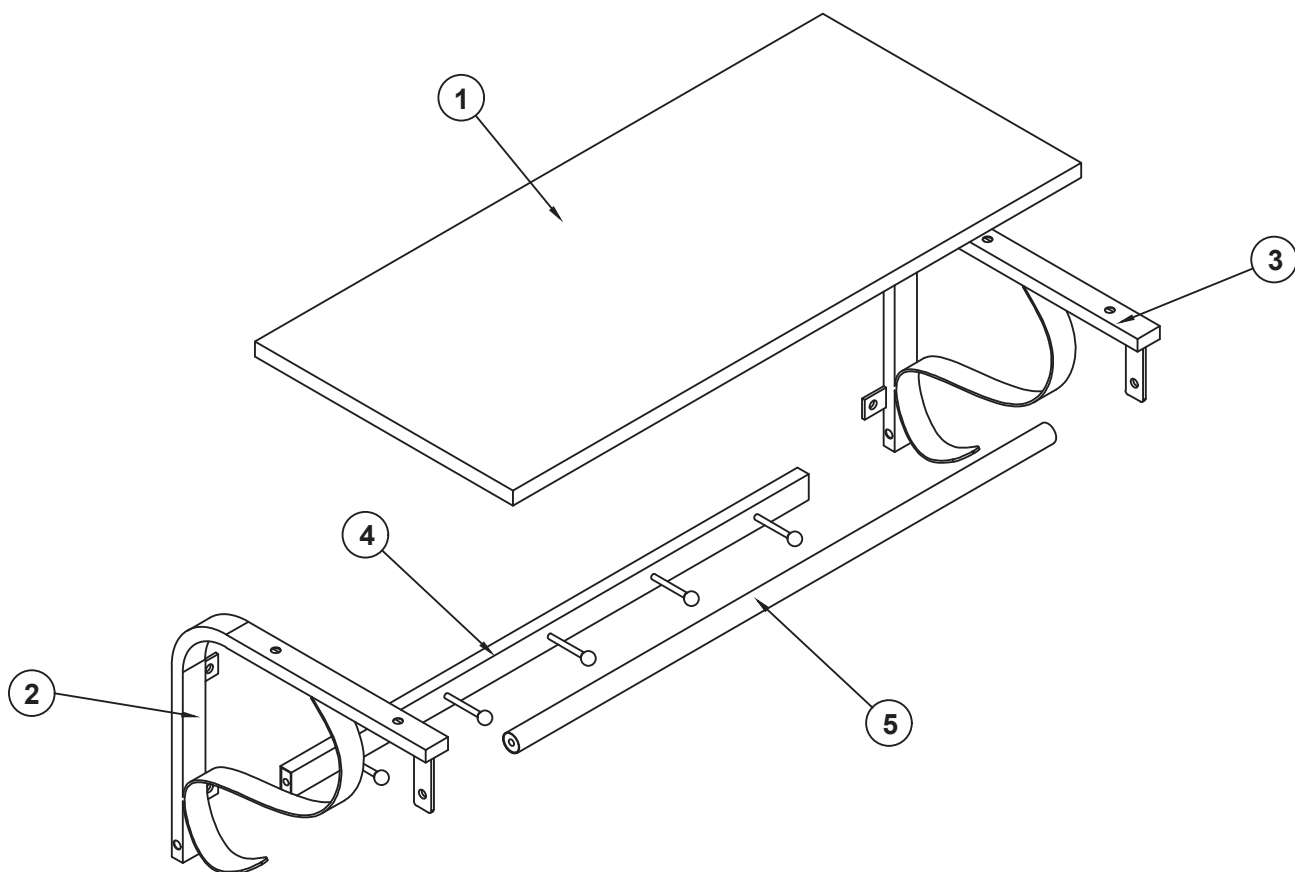
**PARTS**



**HARDWARE**



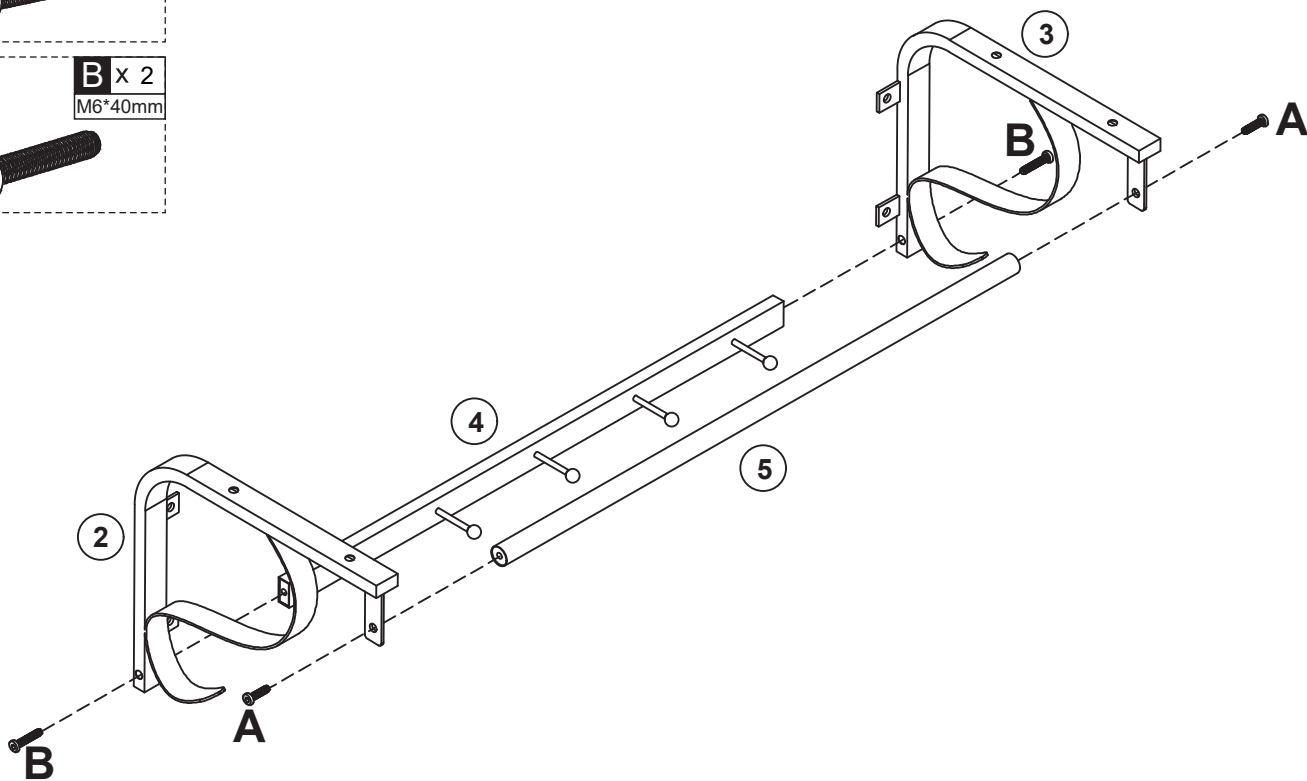
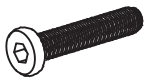
**EXPLOSION FIGURE**



A x 2  
M6\*22mm



B x 2  
M6\*40mm



A x 4  
M6\*22mm

